

Volume 8, Issue 6
May 13, 2014

UNITED STATES BRIDGE CHAMPIONSHIPS

“Trials” and Tribulations Round of 16 Final

3	Gordon	302	25	23	50	71	45	36	25	27	
14	Baseggio	256	25	69	30	8	19	31	28	46	
4	Fireman, npc	291	45	49	42	60	68	27			
13	Kolesnik	118	41	33	24	12	0	8	wd		
5	Bramley	312	26	63	46	37	29	51	60		
12	Harris	230	14	33	23	43	53	7	57	wd	
6	Diamond	317	37	25	36	44	49	38	34	54	
11	Hung	249	34	15	9	52	28	28	36	47	
7	Seligman	237.5	44	24	44	28	20	41	38		-1.5
10	Meltzer, npc	158	26	30	18	11	19	19	35	wd	
8	Sherman, npc	344	13	49	47	24	55	37	56	63	
9	Koneru	198	27	46	13	38	42	7	8	17	

USBF President
Howie Weinstein

USBF Vice President
Sylvia Moss

USBF Secretary
Jan Martel

USBF Treasurer
Cheri Bjerkan

USBF Chief Operations Officer
Jan Martel

USBF Chief Financial Officer
Barbara Nudelman

Directors - USBC
Chris Patrias
Sol Weinstein

Operations Manager
McKenzie Myers

Appeals Administrators
Sandy & Bill Arlinghaus

Appeals Committee:
Danny Sprung
Kerri Sanborn
Ron Gerard
Adam Wildavsky
John Sutherlin
Dan Morse
Larry Cohen
Mike Becker
Jeff Polisner
Beth Palmer

VuGraph Organizer
Jan Martel

Bulletin Editor
Suzi Subeck

Photographer
Peg Kaplan

Local Hospitality Chairs
Lisa Berkowitz
Molly O’Neill

Webmaster
Kitty Cooper

The 1.5 penalty assessed the Seligman team was for a misexplanation of their lead methods.

Teams in Order by Seeding

"TRIALS" AND TRIBULATIONS

Nickell Bye to Rnd of 8	Frank Nickell, Capt Bobby Levin Jeff Meckstroth	Ralph Katz Steve Weinstein Eric Rodwell
Fleisher Bye to Rnd of 8	Martin Fleisher, Capt Gary Cohler Chris Willenken	Chip Martel Michael Rosenberg
Gordon Bye to Rnd of 16	Mark Gordon, Capt David Berkowitz Jacek Pszczola	Pratap Rajadhyaksha Alan Sontag Michael Seamon
Diamond	John Diamond, Capt Geoff Hampson Brad Moss	Brian Platnick Eric Greco Kevin Bathurst
Bramley	Bart Bramley, Capt Howard Weinstein Robert Hamman	Lew Stansby Ross Gabel Roger Lee
Sherman	Richard Coren Kevin Dwyer Mike Passell Gabrielle Sherman, NPC	Michael Kamil Russell Ekeblad Marc Jacobus
Fireman	John Kranyak Justin Lall Joel Wooldridge Paul Fireman, NPC	Gavin Wolpert John Hurd
Koneru	Venkatrao Koneru, Capt Kit Woolsey	Jim Krekorian Fred Stewart
Meltzer	Steve Robinson Steve Garner Rose Meltzer, NPC	John Mohan Peter Boyd Ron Smith
Seligman	Martin Seligman, Capt Jiang Gu Curtis Cheek	Mark Lair Huub Bertens
Harris	Martin Harris, Capt Glenn Milgrim Jeff Aker	Jacob Morgan Barry Rigal Josh Parker
Kolesnik	Alex Kolesnik, Capt Josh Sher Brady Richter	Bob Etter Ai-Tai Lo John Ramos
Hung	Eugene Hung, Capt JoAnna Stansby	Jason Feldman William Watson
Baseggio	Franco Baseggio, Capt Migry Zur Campanile	Andrew Stark John McAllister
Parrish	Adam Parrish, Capt Joel Datloff	Greg Humphreys Roger McNay
Berkowitz	Dana Berkowitz, Capt Craig Ganzer	Sylvia Shi Robert Brady

You know you're an Arizona native when you think Taco Bell is the local phone company.

~Emma Louise Philabaum



NPC's: Meltzer, Fireman, Sherman

Answers to Puzzle on Page 10

dinner	March	Friday	Jeremy	Sally
opera	July	Monday	Allen	Marcia
hospital	August	Thursday	Mark	Kristin
birthday	October	Wednesday	Rick	Ellen
wedding	May	Tuesday	Chris	Amy
Location	Month	Day of the Week	First Name	First Name

Knockout Schedule

The Past Comes Alive From Frank and Hans

Dutch players Frank van Wezel and Hans van de Konijnenberg collect books, magazines and Daily Bulletins about bridge.

They especially enjoy Daily Bulletins from the pre-internet era because these bulletins are a treasure trove of wonderful old photographs, marvelous sketches, splendid deals, and tremendous stories and anecdotes.

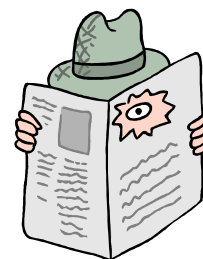
Frank and Hans have compiled and scanned this material so they could share it with bridge players all over the world. They wanted to preserve the history of bridge from oblivion.

To that end, they have launched a free website:

www.bridgedailybulletins.nl

On this site you can find thousands of scanned bulletins, both from the digital era and before. Frank and Hans have posted World Bridge Federation, European Bridge League and American Contract Bridge League championship bulletins, as well as many daily newsletters from miscellaneous tournaments around the world.

If you have bulletins that they are missing, please contact Frank or Hans. Contact details can be found on their website.



Round of Sixteen		
Captains' Meeting in Playing Area at 9:45 AM		
SUNDAY MAY 11TH	10:00 - 12:10	SEGMENT 1 BOARDS 1-15
	12:25 - 2:35	SEGMENT 2 BOARDS 16-30 70 MINUTE LUNCH BREAK
	3:45 - 5:55	SEGMENT 3 BOARDS 31-45
	6:10 - 8:20	SEGMENT 4 BOARDS 45-60
MONDAY MAY 12TH	10:00 - 12:10	SEGMENT 5 BOARDS 61-75
	12:25 - 2:35	SEGMENT 6 BOARDS 76-90 70 MINUTE LUNCH BREAK
	3:45 - 5:55	SEGMENT 7 BOARDS 91-105
	6:10 - 8:20	SEGMENT 8 BOARDS 106-120
Quarterfinals		
TUESDAY MAY 13TH	10:00 - 12:10	SEGMENT 1 BOARDS 1-15
	12:25 - 2:35	SEGMENT 2 BOARDS 16-30 70 MINUTE LUNCH BREAK
	3:45 - 5:55	SEGMENT 3 BOARDS 31-45
	6:10 - 8:20	SEGMENT 4 BOARDS 46-60
WEDNESDAY MAY 14TH	10:00 - 12:10	SEGMENT 5 BOARDS 61-75
	12:25 - 2:35	SEGMENT 6 BOARDS 76-90 70 MINUTE LUNCH BREAK
	3:45 - 5:55	SEGMENT 7 BOARDS 91-105
	6:10 - 8:20	SEGMENT 8 BOARDS 106-120
Semi-Finals		
THURSDAY MAY 15TH	10:00 - 12:10	SEGMENT 1 BOARDS 1-15
	12:25 - 2:35	SEGMENT 2 BOARDS 16-30 70 MINUTE LUNCH BREAK
	3:45 - 5:55	SEGMENT 3 BOARDS 31-45
	6:10 - 8:20	SEGMENT 4 BOARDS 46-60
FRIDAY MAY 16TH	10:00 - 12:10	SEGMENT 5 BOARDS 61-75
	12:25 - 2:35	SEGMENT 6 BOARDS 76-90 70 MINUTE LUNCH BREAK
	3:45 - 5:55	SEGMENT 7 BOARDS 91-105
	6:10 - 8:20	SEGMENT 8 BOARDS 106-120
Final		
SATURDAY MAY 17TH	10:00 - 12:10	SEGMENT 1 BOARDS 1-15
	12:25 - 2:35	SEGMENT 2 BOARDS 16-30 70 MINUTE LUNCH BREAK
	3:45 - 5:55	SEGMENT 3 BOARDS 31-45
	6:10 - 8:20	SEGMENT 4 BOARDS 46-60
SUNDAY MAY 18TH	10:00 - 12:10	SEGMENT 5 BOARDS 61-75
	12:25 - 2:35	SEGMENT 6 BOARDS 76-90 70 MINUTE LUNCH BREAK
	3:45 - 5:55	SEGMENT 7 BOARDS 91-105
	6:10 - 8:20	SEGMENT 8 BOARDS 106-120

**No Electronic Devices are Permitted in the Playing Area.
This applies to players AND kibitzers.
Severe penalties will be assessed for violation of this rule.
Please turn off all cell phones and check them at the door.
The USBF reserves the right to wand anyone entering the
playing field.**



Hospitality Suite Information

The hospitality suite for the 2014 USBC will be the Kayenta Suite (room 2052). Our wonderful hostesses, Lisa Berkowitz and Molly O'Neill will make the "trek" to Phoenix to welcome you to the Hospitality Suite during the tournament. Because the hotel serves breakfast every morning, we will not be serving breakfast in the hospitality suite. Please join us for:

Lunch daily from 2:30-4:00.

Vugraph, casual chit chat, drinks & snacks during the rest of the playing hours and for a short time after the end of the day.

As we have the last two years, we will also have a "Players' Break Room" (aka Jan's office) near the playing rooms from Tuesday on. We will have coffee, soft drinks and some snacks available in that room while you wait for your slow teammates to finish playing.



Molly and Lisa invite you to room 2050 during the play for snacks and sodas. Your team captains have the key... and they add that your cooperation in tossing your trash is much appreciated.

Best Food and Restaurants in Phoenix: 2013

Best Asian Cuisine & Sushi

WINNER: Blue Wasabi Sushi & Martini Bar

Sushi Roku
The Mint
RA Sushi Bar Restaurant
House Modern Sushi
Pure Sushi
Sochu House
Sushi Brokers
Stingray Sushi
Roka Akor Sushi & Robata Grill
Flo's Asian Kitchen
Nobuo at Teeter House
P.F. Changs
The Sushi Room
Sakana Sushi & Grill
Yasu Sushi Bistro
Sushi On Shea
Shinbay
Roy's, JW Marriott

Best Baked Goods

WINNER: Cookies From Home

Classic Cakes & Confections
NutWhats
Whoopie Baking Company
Tammie Coe Cakes
AJ's Boulangerie
Sprinkles Cupcakes
Essence Bakery Cafe
La Grande Orange Grocery
Gluten Free Creations Bakery
Scratch Pastries
21 Cakes
Caketini
Paradise Bakery
Liberty Market
Let Them Eat Cake
Wildflower Bread Company
Cupcakes of Scottsdale
Chompie's
Treehouse Bakery
Honey Moon Sweets
Whole Foods
ABC Amy's Baking Company

Best Barbecue

WINNER: Famous Dave's

Bryan's Black Mountain BBQ
Don & Charlie
Honey Bear
Joe's Real BBQ
Bobby Q
Stacy's Smokehouse
Dickey's BBQ Pit
Waldo's
Hap's Pit
Andrew's BBQ

Best Breakfast

WINNER: First Watch

Matt's Big Breakfast
Over Easy
The Farmhouse Restaurant
The Breakfast Club
The Good Egg
La Grande Orange Grocery
Daily Dose
Liberty Market
Butterfield's Pancake House
D'Lish
Chompie's
Scramble
Orange Table Cafe
Astor House
El Chorro Lodge
Taylor's Caf  
Morning Squeeze
Heart and Soul Caf  

Best Burger

WINNER: Kelly's At Southbridge

Indulge Burgers & More
Paradise Valley Burger Company
The Grind
Smashburger
Zinburger
Delux Burger
The Lodge
Brat Haus
Johnny Rockets
Habit Burger
BluBurger Grille
Roaring Fork

Relish Burger Bistro
Original Hamburger Works
Coal Burger
Lush Burger

Bourbon Steak, Scottsdale Fairmont
Scottsdale Resort and Spa
J&G Steakhouse, The Phoenixian
Stax Burger Bistro
The Capital Grille
The Greene House

Best Business Lunch Spot

WINNER: Bistro 24, Ritz-Carlton

Davanti Enoteca
Dick's Hideaway
Chelsea's Kitchen
Arrogant Butcher
Houston's
True Food Kitchen
NoRTH
Modern Steak
The Capital Grill
Olive & Ivy Restaurant + Marketplace
Nordstrom Cafe
Neiman Marcus Caf  

Best Comfort Food

WINNER: Eddie's House

Oregano's
Frank & Albert
Cafe Zuzu
Chelsea's Kitchen
Over Easy
Tuck Shop
Beckett's Table
Windsor
Lo Lo's Chicken & Waffles
Culinary Dropout
Arrogant Butcher
The Lodge
Lucille's
Fogo De Chao
Copper Blues
Old Town Whiskey
Grand Lux Cafe
Roaring Fork
Switch
Kelly's at SouthBridge

Day Two of the Head-Ups ... Favorites Leading in Every Match ...

Board 35
Dealer: S
E/W Vul.

♠ 987
♥ T8762
♦ 954
♣ Q2

♠ Q4
♥ AQ
♦ KQ7632
♣ 543



♠ AKT63
♥ J93
♦ AJ
♣ AT7

♠ J52
♥ K54
♦ T8
♣ KJ986

West	North	East	South
Watson	Moss	Feldman	Bathurst
1D	Pass	1S	Pass
2D	Pass	3C	Double
Pass	Pass	4D	Pass
4S	Pass	5C	Pass
5H	Pass	6D	All Pass

Diamond	Hung	Platnick	J. Stansby
1NT (14-16)	Pass	2H (transfer)	Pass
2S	Pass	4NT	All Pass

Latest word on the street is that "all expert players are playing 14-16 NT's and 13 is OK." For Diamond/Platnick, it was certainly not OK.

Hung led the heart six against 4NT. Diamond won his ace, led a diamond to the ace and claimed twelve unless the spade jack came down in three rounds and it did... so he took 13 for +720.

At the other table, Watson and Feldman had a good auction to get to six diamonds. After Bathurst doubled 3C, Watson passed it back to Feldman to further describe his hand. Feldman jumped in diamonds; Watson showed his honor doubleton of spades; it went cue-cue and ended in the slam.

Moss led his club queen. Watson won in hand, pulled the trump, tested spades and claimed 13 tricks and 12 badly needed IMPs.

Board 46
Dealer: E
None Vul.

♠ QT95
♥ A93
♦ 7
♣ AQJT8

♠ AK4
♥ KJ62
♦ QJ532
♣ 7



♠ J7
♥ QT754
♦ KT984
♣ 5

♠ 8632
♥ 8
♦ A6
♣ K96432

The Hung squad got lucky on Board 46.

Watson	Bathurst	Feldman	Moss
4H	All Pass	2H	Pass

Greco	Hung	Hampson	J. Stansby
1D	2C	Pass	Pass
4H	4S	2H	Double
Double	All Pass	Pass	Pass

In the Closed Room, Feldman opened an aggressive weak two in hearts on his five card suit to the QT. Watson cooperated perfectly and jumped to the game. Bathurst/Moss never even got into the bidding. Four hearts took a diamond ruff to defeat, but Moss was up to that early, leading ace of diamonds and a diamond.

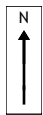
While Hampson/Greco were in the "Open" Room, Hampson was still not persuaded to "open"!! Hung bought the contract at four spades and Greco doubled in the pass out seat. Hampson led his singleton club. Hung won in dummy with the king, unblocking his queen. He led a trump to the ten and lost to the jack. Hampson returned a heart. Hung won in hand and played another trump. Greco won his king and Hung claimed ten tricks... six clubs, two spades, and two red aces, losing only three tricks... all trump!

11 IMPs to Hung.

Board 46
 Dealer: E
 None Vul.

♠ AK97
 ♥ AKQJ875
 ♦ A
 ♣ K

♠ QJ843
 ♥ 93
 ♦ 9852
 ♣ T7



♠ 652
 ♥ 2
 ♦ KQT64
 ♣ 5432

♠ T
 ♥ T64
 ♦ J73
 ♣ AQJ986

West	North	East	South
McAllister	Berkowitz	Migry	Sontag
		2D	Pass
3D	6H	All Pass	

Seamon	Stark	Pepsi	Baseggio
		Pass	3C
Pass	4D (keycard)	Double	Redouble (one)
Pass	4H (Q ask)	Pass	4S
Pass	4NT	All Pass	

Migry opened a weak 2D on KQT64. McAllister furthered the preempt by raising to three. Berkowitz made the practical bid of six hearts. There was nothing to the play. Migry led the diamond king and Berkowitz claimed 13 tricks.

In the other room, there must have been conventional mayhem. Stark bid four diamonds keycard over his partner's 3C preempt. Pepsi doubled and Baseggio redoubled to show one keycard. Stark now bid four hearts as a queen ask.

Baseggio responded four spades which made no sense... apparently the denying the queen which he held.

Had Stark known Baseggio held the queen, he surely would have bid the slam.

Four no-trump made 13 tricks but lost 10 IMPs.

Board 51
 Dealer: S
 E/W Vul.

♠ AKJ4
 ♥ AKJ8
 ♦ 8
 ♣ KJ76

♠ QT9
 ♥ 9654
 ♦ QJ96
 ♣ A9



♠ 8
 ♥ Q732
 ♦ KT753
 ♣ 532

♠ 76532
 ♥ T
 ♦ A42
 ♣ QT84

West	North	East	South
Passell	Stewart	Jacobus	Woolsey
			2D (weak 2 major)
Pass	2NT (relay, inv+)	Pass	3D (spade min)
Pass	4C (ask KC)	Pass	4H (1 without)
Pass	6S	All Pass	

Koneru	Ekeblad	Krekorian	Dwyer
			Pass
Pass	1C (strong)	Pass	1D (artificial)
Pass	3D (3 suit short minor)	Double	Redouble
3H	Double	All Pass	

What happened at Koneru's table bore no resemblance to reality. Three hearts was likely bid in desperation. Ekeblad doubled and no one ran. It was hopeless from the start. When the smoke cleared, the contract was defeated two tricks for -500.

In the other room, things made more sense. Woolsey opened a truly LIGHT weak two in spades using multi. Stewart had a great hand for either major and drove to six spades.

Jacobus led a small club to Passell's ace. Woolsey had twelve tricks if he could bring home the trump suit. He took the normal play for th 2-2, but alas, the suit split 3-1 and the slam failed by a trick.

11 IMPs to Sherman.

The Vondracek Effect from Barry Rigal ... Visited and Revisited!

First noted in *Bridge World* over 40 years ago, the following deal may have owed a little to luck but it demonstrated very effectively how playing in the weaker of two trump suits can be critical.

Board 20

Dealer: W

All Vul.

♠ Q6
♥ AK742
♦ K83
♣ T72

♠ JT7532

♥ JT53

♦ 9

♣ Q8



♠ K98

♥ Q98

♦ JT76

♣ J94

♠ A4

♥ 6

♦ AQ542

♣ AK653

West	North	East	South
	Bramley		Stansby
Pass	1S	Pass	2C
Pass	2NT	Pass	3C
Pass	3S	Pass	4C
Pass	4D	Pass	5C
Pass	6C	All Pass	

Stansby's bids were shape relays. Bramley's 3S call showed 2-5-3-3 distribution with 11-13 high card points. 4C initiated a slam invite in an unspecified suit and 5C showed clubs. Bramley's acceptance was based on general joie de vivre. But his instincts were perfect! His control meant 6C needed only clubs 3-2.

In the other room after 1S-2D, North/South played in 6D, which essentially needed both minor suits to behave – and today was not declarer's lucky day!

Barry might or might not remember this, but Sunday, March 10th, 2002, he wrote another article about the Vondracek Effect for the ACBL NABC Daily Bulletin in Houston. The hand is from the Open Pairs I.

The article follows:

"It was perhaps 30 years ago that the *Bridge World* published an article about when it was right to play the weaker trump fit than the stronger one. It was referred to as "The Vondracek effect."

Board 28

Dealer: W

N/S Vul.

♠ AJ752
♥ 875
♦ 863
♣ 84

♠ T863

♥ J32

♦ T92

♣ 962



♠ 4

♥ QT

♦ AK54

♣ KQJT73

♠ KQ9

♥ AK964

♦ QJ7

♣ A5

West	North	East	South
Pass	Pass	2C	Double
Pass	2S	3D	3H
Pass	4H	All Pass	

5C is a cheap save, but not if the major-suit games are not making.

As you can see, four spades has no play. Four hearts was not exactly laydown either, but Justine Cushing had no problem on the diamond ten lead.

The defense cashed two diamonds then shifted to the club king. Justine won and cashed the heart ace and heart king. Then she ran the spades to pitch the club loser while West impotently followed suit.

Note that four spades has no play on an early club shift. Even on a club lead, Justine can get two discards in time before West can ruff in."

June 10-15, 2014

Sanction #R1406069

Come to the USBF Regional in Eau Claire!!

The Plaza Hotel & Suites, 1202 W Clairemont Avenue, Eau Claire, WI
For room reservations, please call: 715-834-3181

\$89 + tax...

Please call by May 4, 2014 to insure bridge rate

Tuesday, June 10

- 9:00 Morning Side Game, session 1
299er Pairs
Tuesday/Wednesday Compact KO, session 1
- 1:30 KO-A session 1
Gold Rush Pairs, session 1
A/X Pairs (X=0-2000, A=2000+), session 1
299er Pairs
Afternoon Side Game, session 1
- 7:30 KO-A session 2
Gold Rush Pairs, session 2
A/X Pairs, session 2
Single Session BAM
Evening Side Game, session 1
299er Pairs



- 9:00 Swiss Teams, session 2
Choice Pairs, session 1*
299er Pairs
Morning Side Game, session 4
- 1:30 KO C, session 3
Choice Pairs, session 2*
299er Pairs
KO D, session 1
Afternoon Side Game, session 4
- 7:30 KO C, session 4
Choice Pairs, session 3*
299er Pairs
KO D, session 2
Evening Side Game, Session 4

Wednesday, June 11

- 9:00 Choice Pairs, session 1*
299er Pairs
Tuesday/Wednesday Compact KO, session 2
Morning Side Game, session 2
- 1:30 KO A, session 3
KO B, session 1
Choice Pairs, session 2*
299er Pairs
Afternoon Side Game, session 2
- 7:30 KO A, session 4
KO B, session 2
Choice Pairs, session 3*
299er Pairs
Single Session Swiss Teams
Evening Side Game, session 2



Saturday, June 14

- 9:00 Morning Side Game, session 5
299er Pairs
- 1:30 KO D, session 3
Stratified Open Pairs, session 1 B, C, D
(B: 1500, C: 750, D: 300)
A/X Pairs, session 1
Swiss Teams Qualifying
(2 days), session 1
299er Pairs
Afternoon Side Game, session 5
- 7:30 KO D, session 4
Swiss Teams Q, session 2
Stratified Open Pairs, session 2
A/X Pairs, session 2
299er Pairs
Evening Side Game, session 5

Thursday, June 12

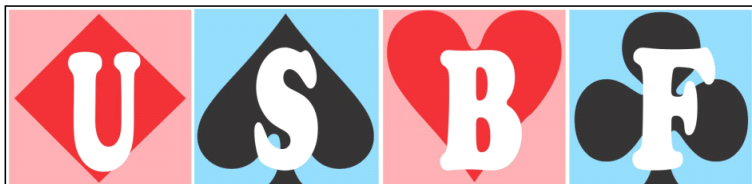
- 9:00 Swiss Teams, session 1 (Th/Fr AM)
Morning Side Game, session 3
299er Pairs
- 1:30 KO B, session 3
KO C, session 1
Gold Rush Pairs, session 1 (B=300-750; C=0-300)
A/X Pairs, session 1
299er Pairs
Afternoon Side Game, session 3
- 7:30 KO B, session 4
KO C, session 2
Gold Rush Pairs, session 2
A/X Pairs, session 2
299er Pairs
Evening Side Game, session 3

Sunday, June 15

- 9:00 Swiss Teams Stratified
Swiss Teams Q, session: 1st final
299er Swiss Teams
- 2:00 Swiss Teams Q, session: 2nd final
Stratified Swiss, Session 2
299er Swiss Teams

A=3,000 +, B=750-3,000, C=0-750
299er Strats: 300/200/100

*Choice Pairs: Players designate which sessions they will play at the time of purchase of entry Friday, June 13



Tournament Chairman: Dennis Ryan
715-231-4490
Partnership Chairman: Tom Kite
715-835-4764

**We abide by the standard ACBL
handicapping policy.**
Master point Averaging when possible.
Great site, Great Hospitality, Great Fun!!

	2	6	5					7
7				8			9	
		4						
1	8		7		3			
							5	
				1		2		
			9					
	4					3	2	
3	6			7	8			

Sudoku 1

Sudoku

Sudoku 2

	6		5				8	
4				3	8	9		
		8	6	7			4	
5	7							3
	9							1
			9		6			7
			7	6				
9	1							
		3						

Answers to Puzzles No Peeking!

Sudoku 2 Solution

7	4	3	1	9	5	2	6	8
9	1	6	8	2	3	5	7	4
2	8	5	7	6	4	1	3	9
8	3	2	9	1	6	4	5	7
6	9	4	3	5	7	8	2	1
5	7	1	4	8	2	6	9	3
1	2	8	6	7	9	3	4	5
4	5	7	2	3	8	9	1	6
3	6	9	5	4	1	7	8	2

Sudoku 1 Solution

3	6	1	2	7	8	5	4	9
9	4	7	1	5	6	3	2	8
2	5	8	9	3	4	1	7	6
4	7	9	6	1	5	2	8	3
6	3	2	8	4	9	7	5	1
1	8	5	7	2	3	9	6	4
5	9	4	3	6	7	8	1	2
7	1	3	4	8	2	6	9	5
8	2	6	5	9	1	4	3	7

Puzzle Page ...

Five couples got engaged during this past year, each in a different month. Coincidentally, each couple met originally through a dating service and had no prior experience with each other. A year later, all five couples got engaged! Each man asked his girlfriend to marry him (and each was quite relieved when she agreed!) at a special event on a different day of the week. Although technically, Mark didn't plan his proposal ahead of time for a special event. His girlfriend was rushed to the hospital for emergency appendix surgery and he asked her when she came out of recovery (he thought it would help take her mind off the surgery). Determine the first name of each couple, the day of the week (Monday through Friday) and the month that each got engaged, and where each engagement took place.

1. One couple got engaged in May at a friend's wedding. Jeremy asked his girlfriend in March. Mark didn't propose to his girlfriend on Wednesday.
2. Chris asked Amy to marry him two months before the couple who got engaged at the opera.
3. Sally's boyfriend asked her to marry him on a Friday. Ellen wasn't dating Allen. One couple got engaged on a Monday night in July but it wasn't Kristin and her boyfriend.
4. One couple got engaged in October at a family birthday party but not on a Tuesday night. Marcia got engaged at the opera but Jeremy wasn't her boyfriend.
5. Rick asked his girlfriend, who wasn't Kristin, to marry him two days after Marcia was asked but the day before the couple who were engaged in August.
6. The five couples, in no particular order, were the couple who went to dinner, Kristin and her boyfriend, the couple who got engaged on Wednesday, Allen and his girlfriend, and the couple who got engaged in May.

	Allen	Chris	Jeremy	Mark	Rick	Monday	Tuesday	Wednesday	Thursday	Friday	March	May	July	August	October	birthday	dinner	hospital	opera	wedding	
Amy																					
Ellen																					
Kristin																					
Marcia																					
Sally																					
birthday																					
dinner																					
hospital																					
opera																					
wedding																					
March																					
May																					
July																					
August																					
October																					
Monday																					
Tuesday																					
Wednesday																					
Thursday																					
Friday																					

**Answer to Puzzle
Can be found
on page 2.
No Peeking!!**

First Name	First Name	Day of the Week	Month	Location
Amy				
Ellen				
Kristin				
Marcia				
Sally				

A Laugh Never Hurts!

As the plane was flying low over some hills near Athens, a Blonde asked the stewardess: "What's that stuff on those hills?"

"Just snow," replied the stewardess.

"That's what I thought," said the lady, "but this fellow in front of me said it was Greece."

Amazing Anagrams

Dormitory == Dirty Room

Desperation == A Rope Ends It

The Morse Code == Here Come Dots

Slot Machines == Cash Lost in 'em

Animosity == Is No Amity

Snooze Alarms == Alas! No More Z's

Alec Guinness == Genuine Class

Semolina == Is No Meal

The Public Art Galleries == Large Picture Halls, I Bet

A Decimal Point == I'm a Dot in Place

The Earthquakes == That Queer Shake

Eleven plus two == Twelve plus one

Contradiction == Accord not in it

This one's amazing: [From Hamlet by Shakespeare]

To be or not to be: that is the question, whether tis nobler in the mind to suffer the slings and arrows of outrageous fortune.

Becomes:

In one of the Bard's best-thought-of tragedies, our insistent hero, Hamlet, queries on two fronts about how life turns rotten.

And the grand finale:

"That's one small step for a man, one giant leap for mankind." -- Neil A. Armstrong

becomes:

A thin man ran; makes a large stride; left planet, pins flag on moon! On to Mars!



Today's matchups are: Nickell/Sherman; Fleisher/Seligman; Gordon/Diamond; and Fireman/Bramley.

Board 59

Dealer: S ♠ Q54
None Vul. ♥ AJ9
♦ AJ93
Q97

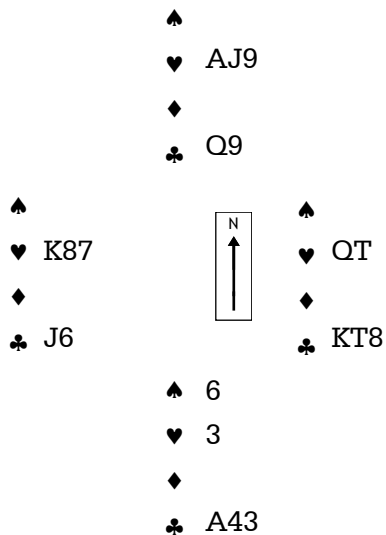
♠ 9872 ♠ 3
♥ K8764 ♥ QT62
♦ 7 ♦ Q864
♣ J62 ♣ KT85
♠ AKJT6
♥ 3
♦ KT52
♣ A43



Passell	Stewart	Jacobus	Woolsey
			1C
Pass	1S	Pass	1NT
Pass	2NT	Pass	3C
Pass	3H	Pass	4C
Pass	4D	Pass	4H
Pass	5C	Pass	6D
All Pass			

Sometimes, it just isn't your day, Woolsey-Stewart had a fine auction to reach 6D. 1C showed 16+ and the 1S response showed 9+ balanced. Woolsey's subsequent bids asked and Stewart was able to show his strength and shape. Once Woolsey diagnosed the 4-4 diamond fit, he keycarded and bid the slam. A spade was led and Stewart simply played for a 3-2 trump break. He led a heart to the ace and trumped a heart. He returned to his hand with a diamond and trumped a second heart. He cashed the king of trumps and got the bad news. Stewart's line of play seems best, but without a heart lead, the contract can be

made. Declarer must guess the queen of trumps and run four rounds of spades. It appears that the five card end position will be:



On the play of the last spade, West and North pitch hearts. If East pitches a club, declarer simply ducks a club and wins the last three tricks with the ace of hearts and two clubs. So East must pitch a heart. Now for the coup de grace, declarer leads a heart to the jack losing to East's queen. East is now end-played in clubs. Declarer will take the last three tricks with the AQ of clubs and the ace of hearts.

Hold the presses: Howie Dung got three matches correct out of six. My Aunt Tilda would have done as well with her tea leaves. Limey Jack called every single match right as if the ghost of the Moors was in the shadows. But for Limey Jack it is the norm. Favourites or underdogs is nary a bother when one knows what they are about. On the eve of the dawn with a cuppa for sustenance the four matches will be decided thusly:

Nickell V Sherman: It seems a tad unfair to have two sponsors against but one, but in spite of starting brand new, Nickell will have only minor aggro in dispatching Sherman. Nickell is a notoriously slow starter and often finds themselves in a bloody hole, but they will prevail. Sherman scored many imps in its match but but the lorry will have left the staging post.

Fleisher V Seligman: Had either of the squads added my Zia, they would be gifted with an auto, but they are each left in the breeze here. Seligman has not been here afore while Fleisher is a regular. After the butterflies have lifted off, if the hole is not too deep, Seligman will vanquish the favourite Fleisher. Fleisher just is lacking this go around. Seligman is what Professor 'iggins was looking for. Howie Dung, who is gormless, will simply pick Fleisher without a dab of thought.

Gordon V Diamond: In the event of the day there will be a fabulous tilt here, with bobs and feints, lunges and parries. Limey Jack likes both teams but you pay for inside advice. Limey Jack fancies that this will be a long match and provoke some time penalties. In the end, it will be the new partnership that is the undoing of Diamond. Gordon gets an assist from the King's Company and moves forward.

Fireman V Bramley: Youth V Age. A team of non shavers takes on Methuselah himself. Limey Jack has decided to put a few quid on the experience of Bramley. It really is five against five with Lee used as a respite. Howie Dung could easily get lost in the fog and forget to guess at this one. Ring up Limey Jack when you must know.

Cheers, LJ

The Round of 16 with 12 teams in play
Confused me completely and I lost my way.
I better do better and get back on track,
Or you'll never trust me, you'll think that I'm Jack!

Katz make great pets, and Ralph is no fool,
Yet out in the desert, it's Kamils who rule.

Fleisher's a given. He'll just chip away.
And Cohler's cigar will be here to stay.

I'm picking Pepsi though you might pick Coke.
Diamond's lost luster and they're gonna choke.

Hamman taught Justin lall that he knows.
How much Justin learned will determine who goes.

You may not agree. You may think I'm absurd,
But I'm picking Kranyak, Wolpert, and Hurd!

Howie Doing... not bad at all!