

Volume 6, Issue 4  
April 29, 2012

# “Trials” and Tribulations

UNITED STATES BRIDGE CHAMPIONSHIPS

## RR Results:

Team Name	Total	14	5	3	6	9	15	2	4	13	10	8	12	1	7	11	BYE
14. Becker	183.32		9.53	8.65	16.29	12.94	9.53	10.92	18.01	13.30	.57	15.22	14.32	16.76	15.51	11.77	10.00
5. Mahaffey	174.67	10.47		18.19	5.37	3.71	17.42	6.01	3.47	6.35	16.99	19.80	5.07	16.04	15.78	20.00	10.00
3. Wolfson	174.56	11.35	1.81		9.53	12.57	6.35	13.99	3.71	12.18	17.62	11.77	15.51	16.76	17.42	13.99	10.00
6. Milner	166.50	3.71	14.63	10.47		16.29	1.81	13.30	13.30	14.93	6.70	8.65	7.43	11.35	19.00	14.93	10.00
9. Falk	165.05	7.06	16.29	7.43	3.71		12.94	10.00	14.63	1.99	13.99	6.01	16.99	13.30	15.78	14.93	10.00
15. Robbins	155.34	10.47	2.58	13.65	18.19	7.06		4.22	7.82	12.94	11.35	4.49	6.01	20.00	13.99	12.57	10.00
2. Spector	154.65	9.08	13.99	6.01	6.70	10.00	15.78		6.01	1.81	18.69	14.32	17.42	13.65	4.49	6.70	10.00
4. Jacobs	151.87	1.99	16.53	16.29	6.70	5.37	12.18	13.99		11.35	12.94	4.22	6.35	7.82	10.92	15.22	10.00
13. Weinstein	151.76	6.70	13.65	7.82	5.07	18.01	7.06	18.19	8.65		7.43	14.32	7.82	2.58	13.99	10.47	10.00
10. Robinson	148.87	19.43	3.01	2.38	13.30	6.01	8.65	1.31	7.06	12.57		18.69	9.53	13.99	7.43	15.51	10.00
8. Lee	147.16	4.78	.20	8.23	11.35	13.99	15.51	5.68	15.78	5.68	1.31		12.18	16.04	10.92	15.51	10.00
12. Rogoff	142.39	5.68	14.93	4.49	12.57	3.01	13.99	2.58	13.65	12.18	10.47	7.82		2.79	8.23	20.00	10.00
1. Gordon	133.06	3.24	3.96	3.24	8.65	6.70	0.00	6.35	12.18	17.42	6.01	3.96	17.21		15.78	18.36	10.00
7. Levine	117.05	4.49	4.22	2.58	1.00	4.22	6.01	15.51	9.08	6.01	12.57	9.08	11.77	4.22		16.29	10.00
11. Chan	83.75	8.23	.00	6.01	5.07	5.07	7.43	13.30	4.78	9.53	4.49	4.49	.00	1.64	3.71		10.00

- USBF President**  
Joan Gerard
- USBF Vice President**  
George Jacobs
- USBF Secretary**  
Cheri Bjerkan
- USBF Treasurer**  
Sylvia Moss
- USBF Chief Operations Officer**  
Jan Martel
- USBF Chief Financial Officer**  
Barbara Nudelman
- Directors - USBC**  
Chris Patrias  
Sol Weinstein
- Operations Manager**  
Ken Horwedel
- Appeals Administrator:**  
Joan Gerard
- Appeals Committee:**  
Joan Gerard  
Henry Bethe  
Bart Bramley  
Doug Daub  
Ron Gerard  
Robb Gordon  
Gail Greenberg  
Chip Martel  
Jeffrey Polisner  
Bill Pollack  
Barry Rigal  
John Sutherlin  
Peggy Sutherlin  
Howard Weinstein  
Adam Wildavsky
- VuGraph Organizers**  
Jan Martel  
Joe Stokes
- Bulletin Editor**  
Suzi Subeck
- Webmaster**  
Kitty Cooper
- Photographer**  
Peggy Kaplan

### \*\*\* 2012 Cavendish Moves To Monaco \*\*\*

The World Bridge Productions and The Monaco Bridge Federation will co-host **THE CAVENDISH** in Monaco, October 15<sup>th</sup> - 19<sup>th</sup> 2012.

**Cavendish Teams Tournament : Monday 15<sup>th</sup> and Tuesday 16<sup>th</sup>**  
Entry fee: 7,500 Euros      Auction: no auctions

**Cavendish Invitational Tournament: Wednesday 17<sup>th</sup> - Friday 19<sup>th</sup>**  
Entry fee: 1,500 Euros      Auction: minimum 5,000 Euros

**Pairs International Tournament: (WBP Pairs) Wednesday 17<sup>th</sup> - Friday 19<sup>th</sup>**  
Entry fee: 500 Euros      Auction: minimum 500 Euro

For more, contact Donna Compton at [cdmra@mindspring.com](mailto:cdmra@mindspring.com) or 214.394.5830.



**In Seeding Order**

*Has fortune dealt you  
some bad cards. Then  
let wisdom make you  
a good gamester.*

— Francies Quarles

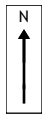
Nickell	Frank Nickell, Capt Robert Hamman Jeff Meckstroth	Ralph Katz Zia Mahmood Eric Rodwell
Bye to Rnd of 8		
Diamond	John Diamond, Capt Eric Greco Brad Moss	Brian Platnick Geoff Hampson Fred Gitelman
Bye to Rnd of 8		
Fleisher	Martin Fleisher, Capt Bobby Levin Chip Martel	Michael Kamil Steve Weinstein Lew Stansby
Bye to Rnd of 16		
Gordon	Mark Gordon, Capt Alan Sontag Ron Rubin	Pratap Rajadhyaksha David Berkowitz Matthew Granovetter
Spector	Warren Spector, Capt Joe Grue Joel Wooldridge	Gary Cohler Curtis Cheek John Hurd
Wolfson	Jeffrey Wolfson, Capt Bart Bramley Chris Willenken	Larry Cohen Chris Compton Michael Rosenberg
Jacobs	George Jacobs, Capt Eddie Wold John Schermer	Steve Beatty Roger Bates Neil Chambers
Mahaffey	Jim Mahaffey, Capt Mike Passell Sam Lev	Michael Seamon Marc Jacobus Jacek Pszczola
Milner	Reese Milner, Capt Hemant Lall Justin Lall	John Kranyak Gavin Wolpert Kevin Bathurst
Levine	Michael Levine, Capt Peter Weichsel Dennis Clerkin	Dennis McGarry Russell Ekeblad Jerry Clerkin
Lee	Roger Lee, Capt Steve Garner	Nikolay Demirev Howard Weinstein
Falk	Allan Falk, Capt Mark Dahl Lloyd Arvedon	Doug Doub Peter Friedland John McLaughlin
Robinson	Steve Robinson, Capt Fred Stewart Mark Feldman	Peter Boyd Kit Woolsey Bill Pollack
Chan	Lapt Chan, Capt Christal Henner	Uday Ivatury Sheri Winestock
Rogoff	Bruce Rogoff, Capt Jeff Aker	Josh Parker Brady Richter
Weinstein	Jonathan Weinstein, Capt Franco Baseggio Jiang Gu	David Yang Andrew Stark Xiaodong Shi
Becker	Drew Becker, Capt Jeffrey Miller Stephen McConnell	Howard Liu William Wickham Phil Warden
Robbins	Larry Robbins, Capt Jon Sorkin	Jeffry Mandell Joseph Stokes

## Eight Ever, Nine Sometimes ... More Online Practice...

Board 7  
All Vul.  
Dealer: S

♠ A985  
♥ JT65  
♦ 9  
♣ AQ97

♠ KJ  
♥ Q32  
♦ AJ843  
♣ K42



♠ 764  
♥ AK4  
♦ KT52  
♣ JT8

♠ QT32  
♥ 987  
♦ Q76  
♣ 653

West	North	East	South
Jacobs	Shi	Beatty	Jiang_Gu
			Pass
1D	Double	3C (limit or better in diamonds)	Pass
3NT	All Pass		

Bidding the game was no problem. Making it was another story.

Shi had to decide which major suit to lead. Spades look better if you subscribe to "fourth from your longest and strongest." And, indeed, on this hand, spades are better.

On a spade lead, declarer must get the diamond right to collect five diamonds, one spade, and three hearts for nine.

However, sometimes tradition wins and sometimes it does not. While the spade lead might well have defeated the contract for the defenders, the old adage: eight ever, nine never, would fail for the declarer when the diamond queen did not come down in two rounds.

Lucky for Jacobs, Shi chose to lead a heart. This lead gives declarer a bit more breathing room.

Jacobs won the heart with dummy's queen and played a diamond to the king and a diamond off dummy. George went right when it mattered. He finessed the jack of diamonds into the "safe" hand. It won, and George collected nine tricks.

+600 was worth 10.3 IMPs in the IMP Pairs.

Stark

Baseggio

Gu

Weinstein

Yang



## Leading Man... starring Chris Compton!

Board 15  
N/S Vul.  
Dealer: S

♠ JT76  
♥ 7  
♦ J95  
♣ AKT82

♠ 9  
♥ 98432  
♦ K632  
♣ Q63



♠ 542  
♥ JT6  
♦ AT87  
♣ 754  
♠ AKQ83  
♥ AKQ5  
♦ Q4  
♣ J9

West	North	East	South
Compton	W. Watson	Bramley	R. Smith
Pass	2NT (limit raise)	Pass	1S
Pass	4S	Pass	3S
Pass	5C	Pass	4NT
All Pass			6S

Last Sunday, the day after Philip Humber pitched a perfect game for the White Sox, Chris Compton found himself throwing the first pitch on the above hand.

Chris held the West cards, and with little information from the auction, he was faced with making an opening lead against a spade small slam.

Look only at the West cards. What would you lead?

Hint: Only one lead defeats the contract.

I gave the hand to my regular partner and he led a heart... score up the slam!

Chris found to only suit to beat declarer. He led a diamond!! Everyone at the table congratulated him on uncovering the weakness.

Down one or +100 was worth 9.7 IMPs in the Imp Pairs game online.

**No Electronic Devices are Permitted in the Playing Area.**  
**This applies to players AND kibitzers.**  
**Severe penalties will be assessed for violation of this rule.**  
**Please turn off all cell phones and check them at the door.**  
**The USBF reserves the right to wand anyone entering the playing field.**



## Hospitality Suite Information:

The hospitality suite for the 2012 USBC is Suite 3321. Players, kibitzers, friends and supporters are welcome in the Hospitality Suite during the tournament. Please join us for:



Breakfast each day from 8:30-10:00 am

Lunch on Monday-Sunday from 2:30-4:00.

Vugraph, casual chit chat, drinks & snacks during the rest of the playing hours and for a short time after the end of the day.

**NOTE:** on Friday-Sunday, we have arranged with the hotel to have a buffet lunch available at the break between sessions. We will be distributing coupons to pay for the lunch to team captains.

Barbara Nudelman, Joan Gerard, Adrienne Cohen and Randee Machotka are working to make this as comfortable as possible for you and your guests. Please stop in and say hello whenever the mood strikes you.

## Grand Performance ...

Board 10

Dealer: E

All Vul.

♠ T984

♥ Q9762

♦ K74

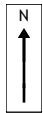
♣ 5

♠ KJ753

♥ 5

♦ 53

♣ 98632



♠ AQ62

♥ J3

♦ Q98

♣ QJT7

West	North	East	South
Mahaffey	Jacobs	Seamon	Beatty
Pass	4H	1C	2NT (2 lowest)
Pass	5D	Pass	5C
All Pass		Pass	7H

♠

♥ AKT84

♦ AJT62

♣ AK4

It isn't easy to bid a grand slam after your opponent opens the bidding... especially on a combined 24 HCP.

When Beatty bid 2NT asking Jacobs to choose between hearts and diamonds, Jacobs was overjoyed to bid the major suit game. He viewed his five card trump holding as truly valuable. Even the "Law" would support

his decision.

When Beatty cued five clubs, Jacobs was happy to cooperate and cue his second round diamond control.

That was all Beatty needed to hear. He jumped to the grand.

There was nothing to the play. The high club cards provided a pitch for North's third diamond and the diamond suit could be established by ruffing one round.

7S is a good save, but very tough to bid. It goes a mere 1700... better than 2210! 2210 meant 13 IMPs to Jacobs when his opponents did not find the grand.

*(Editor's note: While the save works on this hand, most folks in Chicagoland won't take a save against a Jacobs slam knowing that one or more cuebids could be fake!)*

**Round Robin**

<b>Friday April 27th</b>	10:00 - 12:15 12:25 - 2:40 2:40 - 3:50 3:50 - 6:05 6:15 - 8:30	Bds 1-7 & 8-14, clumped Bds 15-21 & 22-28, clumped 1 hour 10 minute break Bds 29-35 & 36-42, clumped Bds 43-49 & 50-56, clumped
<b>Saturday April 28th</b>	10:00 - 12:15 12:25 - 2:40 2:40 - 3:50 3:50 - 4:55 5:00 - 6:05 6:10 - 7:15	Bds 57-63 & 64-70, clumped Bds 71-77 & 78-84, clumped 1 hour 10 minute break Boards 85-91 * Boards 92-98 * Boards 99-105 *

\*\*\* NOTE: last 3 matches are "sequestered" - Closed Room pairs must play all 3 matches, no comparisons allowed \*\*\*

**DRAW FOR BRACKET & CAPTAINS' MEETING FOR ROUND OF 16 WILL BE HELD AT ABOUT 7:30 PM (AS SOON AS QUALIFYING TEAMS ARE DETERMINED).**

**Round of 16**

<b>Sunday April 29th</b>	10:00 - 12:10 12:25 - 2:35 2:35 - 3:45 3:45 - 5:55 6:10 - 8:20	Segment 1, Boards 1-15 Segment 2, Boards 16-30 1 Hour 10 minute break Segment 3 Boards 31-45 Segment 4 Boards 46-60
<b>Monday April 30th</b>	10:00 - 12:10 12:25 - 2:35 2:35 - 3:45 3:45 - 5:55 6:10 - 8:20	Segment 5 Boards 61-75 Segment 6 Boards 76-90 1 Hour 10 minute break Segment 7 Boards 91-105 Segment 8 Boards 106-120

**Tournament  
Schedule**

**Quarterfinals**

<b>Tuesday May 1st</b>	10:00 - 12:10 12:25 - 2:35 2:35 - 3:45 3:45 - 5:55 6:10 - 8:20	Segment 1 Boards 1-15 Segment 2 Boards 16-30 1 Hour 10 minute break Segment 3 Boards 31-45 Segment 4 Boards 46-60
<b>Wednesday May 2nd</b>	10:00 - 12:10 12:25 - 2:35 2:35 - 3:45 3:45 - 5:55 6:10 - 8:20	Segment 5 Boards 61-75 Segment 6 Boards 76-90 1 Hour 10 minute break Segment 7 Boards 91-105 Segment 8 Boards 106-120

**Semi-Finals**

<b>Thursday May 3rd</b>	10:00 - 12:10 12:25 - 2:35 2:35 - 3:45 3:45 - 5:55 6:10 - 8:20	Segment 1 Boards 1-15 Segment 2 Boards 16-30 1 Hour 10 minute break Segment 3 Boards 31-45 Segment 4 Boards 46-60
<b>Friday May 4th</b>	10:00 - 12:10 12:25 - 2:35 2:35 - 3:45 3:45 - 5:55 6:10 - 8:20	Segment 5 Boards 61-75 Segment 6 Boards 76-90 1 Hour 10 minute break Segment 7 Boards 91-105 Segment 8 Boards 106-120

**Finals**

<b>Saturday May 5th</b>	10:00 - 12:10 12:25 - 2:35 2:35 - 3:45 3:45 - 5:55 6:10 - 8:20	Segment 1 Boards 1-15 Segment 2 Boards 16-30 1 Hour 10 minute break Segment 3 Boards 31-45 Segment 4 Boards 46-60
<b>Sunday May 6th</b>	10:00 - 12:10 12:25 - 2:35 2:35 - 3:45 3:45 - 5:55 6:10 - 8:20	Segment 5 Boards 61-75 Segment 6 Boards 76-90 1 Hour 10 minute break Segment 7 Boards 91-105 Segment 8 Boards 106-120

**Minnesota USBF Regional (Mon – Sun)**

Co-sponsored by Unit 103 and Unit 178 -- Sanction #R1210087



**October 8-14, 2012**  
**Holiday Inn St. Paul East , 2201 Burns Ave.**



Time	9:15 am Tuesday – Saturday 10 am Sunday	1:30 pm	7:00 pm
Mon. 10/8			KO #1 (1 <sup>st</sup> session of 4) Stratified Charity Pairs I/N Single Session Charity Pairs (0-5 mps free)
Tues. 10/9	KO #1 (2 <sup>nd</sup> session of 4)  Morning Side Game Series  I/N Single Session	KO #1 (3 <sup>rd</sup> session of 4) KO #2 (1 <sup>st</sup> session of 4) Open Pairs (0-2000, 2000+) Gold Rush Pairs (0-300, 300-750) Afternoon Side Game Series  I/N Single Session	KO #1 (final) KO #2 (2 <sup>nd</sup> session of 4) Open Pairs (0-2000, 2000+) Gold Rush Pairs (0-300, 300-750) Evening Side Game Series Single Session Swiss Team I/N Single Session
Wed. 10/10	Morning Swiss #1 (1 <sup>st</sup> session)  Choice Pairs (play any 2 of 3) Morning Side Game Series  I/N Single Session	KO #2 (3 <sup>rd</sup> session of 4) KO #3 (1 <sup>st</sup> session of 4) Choice Pairs (play any 2 of 3) Afternoon Side Game Series  I/N Single Session	KO #2 (final) KO #3 (2 <sup>nd</sup> session of 4) Choice Pairs (play any 2 of 3) Evening Side Game Series Single Session Swiss Team I/N Single Session
Thurs 10/11	Morning Swiss #1 (2 <sup>nd</sup> session)  Morning Side Game Series  I/N Single Session	KO #3 (3 <sup>rd</sup> session of 4) KO #4 (1 <sup>st</sup> session of 4) Open IMP Pairs (0-2000, 2000+) Gold Rush Pairs (0-300, 300-750) Afternoon Side Game Series  I/N Single Session	KO #3 (final) KO #4 (2 <sup>nd</sup> session of 4) Open IMP Pairs (0-2000, 2000+) Gold Rush Pairs (0-300, 300-750) Evening Side Game Series Single Session Swiss Team I/N Single Session
Fri 10/12	Morning Swiss #2 (1 <sup>st</sup> Session)  Choice Pairs (play 2 of 3) Morning Side Game Series  I/N Single Session	KO #4 (3 <sup>rd</sup> session of 4) KO #5 (1 <sup>st</sup> session of 4) Choice Pairs (play 2 of 3) Afternoon Side Game Series  I/N Single Session	KO #4 (final) KO #5 (2 <sup>nd</sup> session of 4) Choice Pairs (play 2 of 3) Evening Side Game Series Single Session Swiss Team I/N Single Session
Sat 10/13	Morning Swiss #2 (2 <sup>nd</sup> Session)  Morning Side Game Series  I/N Single Session	KO #5 (3 <sup>rd</sup> session of 4) Compact KO (1 <sup>st</sup> session) Open Pairs (0-2000, 2000+) Gold Rush Pairs (0-300, 300-750) Afternoon Side Game Series  I/N Single Session	KO #5 (final) Compact KO (final) Open Pairs (0-2000, 2000+) Gold Rush Pairs (0-300, 300-750) Evening Side Game Series Single Session Swiss Team I/N Single Session
Sun 10/14 10 am	Roger Anderson Aide-de-camp Stratiflighted SwissTeams play through Flight A/AX (3000+ and 0-3000) Strats B/C/D (1000-2000. 500-1000. 0-500)		

KO= 4 session Knockout Team Games CKO= 2 session Compact Knockout Team Games  
 Strats/Brackets are determined by the average of the pair's or team's MPs.

Patti Stuhlman, Co-chair pstuhlman123@comcast.net 952-829-7382  
 Sue Jackson, Unit 178 Co-Chair sjackson@smumn.edu 651-636-4446



## Minnesota USBF Regional (Mon- Sun)

Co-sponsored by Unit 103 and Unit 178 Sanction # R1210087

October 8-14, 2012



**Site:** Holiday Inn St. Paul East

2201 Burns Ave. (Exit I-94 at McKnight Road-- turn south to Burns Ave – hotel is on corner of Burns Ave. and McKnight Road) , St. Paul, MN 55119 , 651-731-2220

Room Rates: \$90 single/double - \$110 Junior Suite - \$135 Innovation Suite

[www.holidaymn.com](http://www.holidaymn.com)

**Reserve rooms by Sept. 10, 2012** (by phone 651-731-2220 or on the web)

Free Parking -- Free Coffee –Free Lunches– Dinner Shuttle for out of town guests

**Entries:** \$12/session for ACBL Members; \$9/session for single session I/N games; \$6/session for students under 25 with proper ID (non ACBL members and unpaid members: \$2 more per session)

**Flights:** Stratified Events: A: 2000+ B: 750-2000 C: 0-750 (based on pair's MP average)  
Stratiflighted Teams (Sunday) A: unlimited A/X 0-3000 B: 1000-2000 C: 500-1000 D: 0-500  
I/N Strats: 0-50, 50-100, 100-200, 200-300  
All Knockouts are bracketed

KO = 4 session Knockout Team game CKO = 2 session Compact Knockout Team game

### **Intermediate - Newcomer Program (0-300)**

Monday 7:00 pm (Free for 0-5 master points)

Tues. through Saturday 9:15 am 1:30, 7:00 single session pairs

Sunday Swiss Team 10 am and TBA (approx 1:45 pm)

I/N Strats: 0-50, 50-100, 100-200, 200-300

A separate 0-49 section will be played if there are sufficient tables for a game.

**Tuesday, Thursday or Saturday afternoon and evening play in the Gold Rush Pairs (\$12/session)**

**Partnerships:** Call or email Maureen Weiman at 603-882-9424 or [jhnsnmaur@aol.com](mailto:jhnsnmaur@aol.com)

**(Do not call once the tournament has started.)**

**Go to the partnership desk at the hotel 45 minutes before game time.)**

**Hospitality:** Free coffee; Free lunches; Dinner shuttle for out of town guests

**Special Events:** Lecture Series 12:45-1:15 pm Tuesday, Wednesday, Thursday, Friday, and Saturday

### **Gold Point Events:**

Consult the director for criteria to earn gold points. (Two or more session events)

Choice Pairs; Stratified Pairs; Gold Rush Pairs

Four-session KOs and two- session Compact Knockouts (CKO)

Morning Side Game Series (must play in 2 morning sessions to be eligible for gold points)

Afternoon Side Game Series (must play in 2 afternoon sessions to be eligible for gold points)

Evening Side Game Series (must play in 2 evening sessions to be eligible for gold points)

Sunday Stratiflighted Swiss Team play-through



							S	R	Q		Y	C	U	H	W		B			L	X			
A	Q	C	Y	H			F	L		X	I	B	U	K	R	V	M	O			S			
		X		N		H	W	O			J				E		A		I	V	C			
		S			R	V		I	O	M		A		L	J	X		B	P	H	T	Q		
M		R	W	X	Y		P				L	V				F	S	A	K		G			
	H		N		W	I	K	U		L	V	F	G	R		S	D	C	Y	T	O	E	M	
V	G				F		T			C	U	B	J	S			K					R	I	
	R	O		S	G	D		V					M	E		P	J		K		H	U		
					E			B	K	I		H		V	W		U	G		C		P		
K	L	U	B	C	R	X	Q			D					E	M	I	N	S			V		
	C		O			U		E	B		A	S	F		K		T		R	V	J			
S	U		V		B	A		R	E			G	Y	L	X	I	D	T				F		
D			B			Y	W							E	S			C				H		
G			F	A	D	T		X	O	N			J	H		P	C		U		B	W		
		W	J	R		L	N		D	K	U		T	B	O			Y		X				
	S			C	J	M	F	I				Q			U	L	B	T	Y	P	K		O	
E	V		F	U		C		K		T		D	I	N		O								
	I	U		Y		S	R			M	L				P	G	W	V		X	E			
X	M				O					U	G	R	P	Y		C	V			B		N		
	O	P	H	G	V	X	L	Y		F	B	N	C	A		D	K	E	M		S		J	
Q			S	E	T	C			Y	A				P			H	V	O	J			K	
	Y	J	M	L	K		G	P	F		C		U	W	I		A	X			S			
	A	B	K		M		Q				X				Y	T	D		N	P				
	D				O	B	I	S	A	T	F	G	E		J	N				X	R	M	Y	V
T	N			V		U		E	Y	I	O		K	P	M									

**Sudoku**

**Answers to Puzzle  
No Peeking!**

O	V	D	I	K	A	J	N	M	S	R	Q	T	Y	C	U	H	W	P	B	L	X			
A	Q	C	Y	H				F	L		X	I	B	U	K	R	V	M	O			S		
		X		N		H	W	O			J				E		A		I	V	C			
		S			R	V		I	O	M		A		L	J	X		B	P	H	T	Q		
M		R	W	X	Y		P				L	V				F	S	A	K			G		
	H		N		W	I	K	U		L	V	F	G	R		S	D	C	Y	T	O	E	M	
V	G				F		T			C	U	B	J	S			K					R	I	
	R	O		S	G	D		V					M	E		P	J		K		H	U		
					E			B	K	I		H		V	W		U	G		C		P		
K	L	U	B	C	R	X	Q			D					E	M	I	N	S			V		
	C		O			U		E	B		A	S	F		K		T		R	V	J			
S	U		V		B	A		R	E			G	Y	L	X	I	D	T				F		
D			B			Y	W							E	S			C				H		
G			F	A	D	T		X	O	N			J	H		P	C		U		B	W		
		W	J	R		L	N		D	K	U		T	B	O			Y		X				
	S			C	J	M	F	I				Q			U	L	B	T	Y	P	K		O	
E	V		F	U		C		K		T		D	I	N		O								
	I	U		Y		S	R			M	L				P	G	W	V		X	E			
X	M				O					U	G	R	P	Y		C	V			B		N		
	O	P	H	G	V	X	L	Y		F	B	N	C	A		D	K	E	M		S		J	
Q			S	E	T	C			Y	A				P			H	V	O	J			K	
	Y	J	M	L	K		G	P	F		C		U	W	I		A	X			S			
	A	B	K		M		Q				X				Y	T	D		N	P				
	D				O	B	I	S	A	T	F	G	E		J	N				X	R	M	Y	V
T	N			V		U		E	Y	I	O		K	P	M									

## Funny Stuff!

During the final days at Denver's old Stapleton airport, a crowded United flight was cancelled. A single agent was rebooking a long line of inconvenienced travelers. Suddenly an angry passenger pushed his way to the desk. He slapped his ticket down on the counter and said, "I HAVE to be on this flight and it has to be FIRST CLASS."

The agent replied, "I'm sorry sir. I'll be happy to try to help you, but I've got to help these folks first, and I'm sure we'll be able to work something out."

The passenger was unimpressed. He asked loudly, so that the passengers behind him could hear, "Do you have any idea who I am?"

Without hesitating, the gate agent smiled and grabbed her public address microphone. "May I have your attention please?" she began, her voice bellowing throughout the terminal. "We have a passenger here at the gate WHO DOES NOT KNOW WHO HE IS. If anyone can help him find his identity, please come to the gate." With the folks behind him in line laughing hysterically, the man glared at the United agent, gritted his teeth and swore "(Expletive) you."

Without flinching, she smiled and said, "I'm sorry, sir, but you'll have to stand in line for that, too."

The man retreated as the people in the terminal applauded loudly. Although the flight was cancelled and people were late, they were no longer angry at United.

The psychology instructor had just finished a lecture on mental health and was giving an oral test.

Speaking specifically about manic depression, she asked, "How would you diagnose a patient who walks back and forth screaming at the top of his lungs one minute, then sits in a chair weeping uncontrollably the next?"

A young man in the rear raised his hand and answered, "A basketball coach?"

Helicopter Pilot: "Roger, I'm holding at 3000 over <such-and-such> beacon".

Second voice: "NO! You can't be doing that! *I'm* holding at 3000 over that beacon!"

(brief pause, then first voice again): "You idiot, you're my co-pilot."

A student at Eagle Rock Junior High won first prize at the Greater Idaho Falls Science Fair, April 26. He was attempting to show how conditioned we have become to alarmists practicing junk science and spreading fear of everything in our environment. In his project he urged people to sign a petition demanding strict control or total elimination of the chemical "dihydrogen monoxide."

And for plenty of good reasons, since:

1. it can cause excessive sweating and vomiting
2. it is a major component in acid rain
3. it can cause severe burns in its gaseous state
4. inhalation can kill you
5. it contributes to erosion
6. decreases effectiveness of automobile brakes

it has been found in tumors of terminal cancer patients

He asked 50 people if they supported a ban of the chemical. Forty-three (43) said yes, six (6) were undecided, and only one (1) knew that the chemical was water.

The title of his prize winning project was, "How Gullible Are We?"

He feels the conclusion is obvious.

# He DREW His Own Conclusions ... a hand from the RR ...

Board 49  
None Vul.  
Dealer: N

♠ 6532  
♥ A52  
♦ AJ862  
♣ 2

♠ T7  
♥ KT  
♦ KQ5  
♣ AKQT93



♠ KJ84  
♥ Q73  
♦ T7  
♣ 8754

♠ AQ9  
♥ J9864  
♦ 943  
♣ J6

West	North	East	South
Drew Becker		Howard Liu	
	Pass	Pass	Pass
2NT	Pass	3C	Pass
3D	Pass	3NT	Pass
Pass	Pass		

Drew Becker, sitting West, chose a somewhat eccentric opening bid of 2NT. (*his words, not mine!*) Liu bid Stayman and placed the contract in 3NT.

The six of diamonds was led.

Drew played the ten and RHO played low, standard count. Good start...what's your line of play?

Two legitimate lines:

1) immediate low heart to the ten--if rho has the jack, you are home.


2) Club to your hand and try to guess spades...if you get it right you are (almost certainly) home if clubs are not 3-0. The best line is more psychological. If you play a heart to the king, the opponents are unlikely to figure out what is going on. If LHO has the ace, he will win and most likely continue diamonds. If the king holds, you can try a spade to the king (instead of a suspicious-looking king of diamonds) and this will likely keep the opponents in the dark long enough for you to establish a 9th trick.

Drew tried a club to hand and ran the ten of spades, going down when both honors were offside...live and learn.

Drew's opponent at the other table made the hand by leading a heart to the king and getting his ninth trick when Drew's teammate quite reasonably continued diamonds.

## Minor Details in Lake Geneva ...

Board 34 ♠  
 N/S Vul. ♥ xx  
 Dealer: E ♦ AQ9x  
 ♣ Axxxxxx

♠ Xxxx		♠ QJxxxxx
♥ Qxxx		♥ Axx
♦ Xxx		♦ X
♣ Jx		♣ KQ
♠ AK		
♥ KJxx		
♦ KJT87		
♣ xx		

This hand produced a most interesting result in the first round of the Friday/Saturday Knockout in Lake Geneva.

At our table, the auction was:

West	North	East	South
Rick Schoenfeld	Suzi	David Bogolub	Stan
		1S	1NT (hearts + a minor ... at least 4/5 ... could be more distributional)
Pass	2S	4S	Double
Pass	5S	Pass	6D
All Pass			

At the other table, the auction was somewhat different (no surprise!!)

Richard Strauss		Jim Phillips	
		1S	1NT (15-17)
Pass	2S (clubs)	3S	4C
Pass	6C	Double	Pass
Pass	Redouble	All Pass	

The first round of bidding was the same at both tables but carried substantially different meaning. Interesting that one South thought the hand was a balanced no-trump and the other thought it was an unbalanced two-suiter!!

6C doubled and redoubled went light a trick when West reasoned correctly and led a heart rather than his partner's spade suit.

At our table, against 6D, East decided not to double, unsure what lead it would suggest. It appeared to him that a club lead would be his best chance for success. He hoped, mistakenly, that partner would infer not to lead a spade since the opponents did not seem fearful of that lead.

It turns out that even if West leads a club, it does not defeat the contract ... a heart is the killing lead.

Given that North's 2S bid guaranteed a fit with partner, it would be logical for double to suggest the lead of a club since North must hold both minor suits and Lightner doubles generally call for the lead of dummy's side suit.

18 IMPs for the good guys!

# Jack and Howie Duel It Out!

Well, our first two days of this joust are in the ledgers and that manky Howie Dung best hide his head in a cistern. Imagine how listening to that drivel could give one Gandhi's revenge. The absolute gall of the cretin to insist that the fine Becker team would not qualify and here they win the Round Robin by a furlong. This character could talk the hind leg off a donkey to no avail.

Let's get to the bridge now. Venting at Howie Dung is like arguing with a simpleton.

I had a fine day at the Races and am quite wadded up. As always Limey Jack is so confident that the punters hate to see him get off the tram at their shoppes.

Our first tilt features the biggest upset to date. Fleisher comes in cold and goes out hot. Weinstein-Levin in their swan song prior to the bolt to Nickell, take the mostly unknown underdogs far too lightly, and simply cannot come back far enough. Levin, known for being a bit of a potty mouth, stays surprisingly calm as the future is paved with gold. This also marks the end of the Martel-Stansby partnership of 30 years, including marrying the same Lass.

Mahaffey-Robbins: 6 handed beats 4 handed every time.

Wolfson-Milner: Limey Jack will stay up as late as needed to see this match on viewgraph. This will be the premiere tussle. Milner was a late replacement for the ailing Deutsch and has 4 young lads on his squad. Wolfson has the oft retired Cohen as his second. While the youngsters are indefatigable, it will be Wolfson raising the champs (Ed note-champagne)

Lee-Robinson: While Lee hopes to be singing "Where have you gone Mrs. Robinson?", it will be Robinson who gives the other team their "Lee"ve.

Jacobs-Becker: Limey Jack does not quite understand all the rules of your Trials, but if winning the Round Robin entitled Becker to choose their opponent, they chose poorly. I rather suspect that perhaps they got to pick a bracket and Jacobs was the best of a bad lot. Nonetheless, Becker's surprisingly good showing comes to an abrupt halt.

Spector-Falk. I am reminded of the show on the telly where Peter Falk played an inspector. Falk will do us all the favour of keeping this match in doubt for some time, but eventually form will prevail. Spector by a nose.

There you have it folks; picks from Limey Jack that you can actually take to the bank. Perhaps Howie Dung will recognize greatness and do the right thing for us all.

Cheers, LJ

---

Howie:

I was half right and Jack was half wrong.  
He comes up short and I come up long!

Some things are going according to plan.  
Like bidding farewell to the ladies and Chan!

Today it is Jacobs who had better hide,  
When Becker takes Limo-king out for a ride!

Falk's on a roll... Spector is done.  
Lee will fall flat to Steve Robinson.

Mahaffey is sure to have the last laugh.  
Besides Stokes is needed to do the VuGraph.

Milner and Wolfson... it won't be a draw.  
And I gotta pick for Larry the Law!

Good luck to you all. The show should be great.  
I'll be there watching ... whatever your fate!

Howie Doing ... not bad so far!

# Perfect Technique from Larry Cohen

This deal was played in the Friday Round Robin. Larry Cohen was East at the “other table.” His teammate, Chris Willenken, showed perfect technique.

Chris, dealer at favorable vulnerability, chose to open one diamond holding:

S: Q  
 H: K9632  
 D: AKQT84  
 C: T

Apparently Chris considered this hand good enough to reverse (planning to bid hearts twice.) LHO passed and Chris’s partner, Michael Rosenberg, made the surprising (but pleasing) response of 1H!!!

RHO preempted to 2S and Chris cue-bid 3S. LHO bid 4S and Michael bid 5D. Right or wrong, Chris chose to pass, thus buying the contract at 5D. The S7 was led (3rd and 5th leads) and he saw:

♠ 8  
 ♥ AJ74  
 ♦ 9652  
 ♣ J843

East won the SA and played the CK and a low club.

How should declarer play?

This is all about the heart suit. If they are 2-2, declarer can draw trump and lay down the top hearts to make 11 tricks. But, might hearts be 3-1? Why not try to get a count on the hand?



The first move is to carefully trump the club with the DT in order to preserve the D8 and the D4 to cross to dummy.

♠ Q  
 ♥ K9632  
 ♦ AKQT84  
 ♣ T

Next come the trumps. On the DA, East plays the jack. Chris now crossed with the D8 to the 9 (RHO showing out) and ruffed a 3rd round of clubs (all following). The D4 was led to the D5 to ruff a 4th round of clubs. RHO showed out.

Since the lead was a 3rd/5th best D7, declarer knew spades were 4-7 (West would have led a low one from a 5 card suit.) Therefore, RHO has 7 spades, 1 diamond, 3 clubs and 2 hearts. There is no reason to take any heart finesses. Chris laid down the top hearts and this was the full layout:

♠ 8  
 ♥ AJ74  
 ♦ 9652  
 ♣ J843

At many tables in the RR, declarer (in hearts, so unable to get a complete count), played the preempter for short hearts and lost a heart trick by playing low to the HK and finessing the HJ.

Willenken’s team won 7 IMPs for +400 when E/W played in 5S (bid against N/S’s 5H).

♠ K973  
 ♥ 85  
 ♦ 73  
 ♣ A9752



♠ AJT6542  
 ♥ QT  
 ♦ J  
 ♣ KQ6

The defense was accurate, carefully cashing out for down one. -100 for E/W.

♠ Q  
 ♥ K9632  
 ♦ AKQT84  
 ♣ T