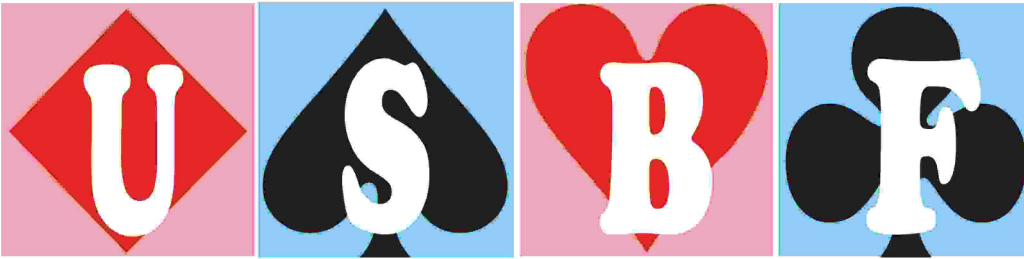


Team "Trials" and Tribulations



Natasha Cheers Narasimhan Victory Boris Eats Crow with his Borscht

After 96 boards, the final score in the Women's Championship was Narasimhan, 218; Sulgrove, 129.

Sulgrove goes on to playoff two against Quinn. The winner of that match will represent the USA as USA2.

Quinn won the first playoff against the mighty Baker team by only two IMP's.

Natasha is ordering up vodka on Boris' tab in celebration of picking the winner. Boris is sulking, but he reminds Natasha that he, alone, is still alive in the pick for USA2. No one is "Russian" to the finish line just yet, but tonight we'll know who will be eating egg roll and who's just rolling home!

Half-time Scores in the USBC

	TEAM	TOTAL	1-15	16-30	31-45	46-60
2	Ekeblad	186	30	55	33	68
7	Harris	81	14	17	20	30
3	ORourke	91	27	27	10	27
6	Schwartz	120	32	20	28	40
4	Meltzer	122	43	21	26	32
5	Deutsch	131	30	32	21	48

With sixty boards to go in the Open, Ekeblad is well in front of Harris. Schwartz and Deutsch have small leads over O'Rourke and Meltzer respectively.

Matches will finish tonight and the winners will be joined by Nickell in the semi-final on Thursday.

Our extensive VuGraph coverage will continue throughout the competition, thanks in large part to the efforts of Jan Martel and her countless volunteers. Also, appreciated is the donation from the Chicago Mercantile Exchange to make this all possible.

USBF President
Jan Martel

Tournament Chair
Tom Sucher

ACBL District 13
Tobey Belmont, President

Chicago Unit 123
John Goldstein, President

Directors - USBC
Chris Patrias
Sol Weinstein

Directors - USWBC
Charlie McCracken
Diane Beyer

Operations Manager
Jeff Johnston

Appeals Coordinator
Joan Gerard
Committee
Rich Colker
Ron Gerard
Jeff Goldsmith
Jeff Polisner
Barry Rigal
Howard Weinstein

VuGraph Coordinators
Jan Martel
Dan Wolkowitz

Bulletin Editor
Suzi Subeck

Hospitality Chairs
Barbara Nudelman
Rena Hetzer
Joan Gerard

Webmaster
Kitty Cooper



Remaining USBC Teams

Deutsch: Seymon Deutsch, Gary Cohler, Bart Bramley, Sidney Lazard, Grant Baze, John Kranyak

Ekeblad: Russell Ekeblad, Ron Rubin, Fred Gitelman, Brad Moss, Chip Martel, Lew Stansby

Harris: Martin Harris, Jacob Morgan, Dan Gerstman, Tom Carmichael

Meltzer: Rose Meltzer, Kyle Larsen, Alan Sontag, Roger Bates, Billy Cohen, Ron Smith

Nickell (bye ►semi-finals): Frank Nickell, Dick Freeman, Bob Hamman, Paul Soloway, Jeff Meckstroth, Eric Rodwell

O'Rourke: Lou Ann O'Rourke, Marc Jacobus, Curtis Cheek, Joe Grue, Eric Greco, Geoff Hampson

Schwartz: Richard Schwartz, Michael Becker, Drew Casen, Jim Krekorian, David Berkowitz, Larry Cohen

Remaining USWBC Teams

Baker (bye ►RR2): Lynn Baker, Karen McCallum, Kerri Sanborn, Lynn Deas, Beth Palmer

Narasimhan: Hansa Narasimhan, Irina Levitina, Jill Levin, Jill Meyers, Debbie Rosenberg, Jo-Anna Stansby

Quinn: Shawn Quinn, Sue Picus, Hjordis Eythorsdottir, Rozanne Pollack

Sulgrove: Kathleen Sulgrove, Candace Griffey, Laurie Kranyak, Linda McGarry, Cindy Bernstein, Sally Wheeler

HOSPITALITY INFORMATION from Barbara Nudelman, Joan Gerard, and Rena Hetzer

The hospitality suite is in room 3321. It will be open for **Breakfast** at 8:30 AM till game time for all players.

USBC Lunch: Lunch will be served in the suite at the mid-afternoon break (approximately 2:45 PM). We may be a bit crowded but we'll see to it that everyone gets to eat.

USWBC Lunch – There are no actual lunch breaks, but we will try and offer a more substantial breakfast in the hour just before your starting time. Of course, you are welcome to join us for the regular lunch break the rest of the week.

The suite will be open most days until the completion of play for soft drinks and snacks.

Hotel Restaurants: **Metro:** 6am - 10pm daily; **Tre Cena:** Breakfast: 6:30am-11 AM M-F, 7am-11am S/S; Lunch 11am-5pm daily; Dinner 5pm-10pm daily; **Knuckles** 4:30pm-12am Su-F, 4:30pm-1am Saturday

Check in-room for **room service menu** ... available 6am-12am.

Once again, we are here to feed you and listen to all of your trials and tribulations at the bridge table. If you need something just ask... we might not be able to help but we will surely try.

"I don't know the key to success, but the key to failure is trying to please everybody."
-Bill Cosby

Quoth the Lawyers: We are often wrong but never in doubt.

"Few things are harder to put up with than the annoyance of a good example." -
Mark Twain

THANKS!!! ---- to Ron Smith and all of my birthday well-wishers.

I am delighted with my perfect-for-Rena beautiful new purse and humbled by the warmth and generosity of the givers.

The best birthday (67th) ever!

Rena

Getting to the Airport in Comfort:

There is no shuttle from the hotel to the airport. We recommend that you call **Windy City Limousine** to arrange transportation **(866) 94-WINDY**. Their drivers are courteous and helpful ... and unlike many of the cab drivers, they speak English and know their way around the city and the suburbs.


Puzzle Page

"Small" Slam

Well, actually, we're talking about a grand slam here, where one partnership takes all 13 tricks. But the puzzle is to find the "smallest" grand slam possible - that is, what is the fewest number of high card points a partnership must have to make a grand slam in any arbitrary trump suit, say spades? Do not count distribution points, singletons/voids etc.

Finessephobia


You are playing a hand of bridge, and you have wound up in the contract 3NT (Bidding went: South - 2♦, West 2NT, North Pass, East 3NT). Your cards are as seen below:

You ♠ AK5 ♥ AQ84 ♦ A43 ♣ J93		Dummy ♠ JT8 ♥ K7 ♦ Q9 ♣ AQT762
--	---	--

On the first trick, North led the ♦7 through dummy. You played the queen, and South interjected the King, which won after you ducked in your hand. South's return was the Jack of Diamonds, which you took with your Ace. In proceeding, you see that you may have to take a Club finesse, through Dummy's AQ. But you are paranoid about this finesse failing with South running his Diamonds (remember he has 6 because he bid 2D as an opening bid.) Is there another way of playing this hand that will guarantee you make 3NT regardless of where the King of Clubs is?

Clear Away the Barricade...

Here's an interesting hand that looks like it should be an easy grand slam given the number of points... But there's a problem. First, look at the hand:

You ♠ A ♥ K ♦ AKQ ♣ AKJT9543		Dummy ♠ KQJ ♥ AQ ♦ J987642 ♣ 2
--	---	--

The opening lead is the 6 of Hearts. What's the best way of playing this hand?

(Answers on page 7)

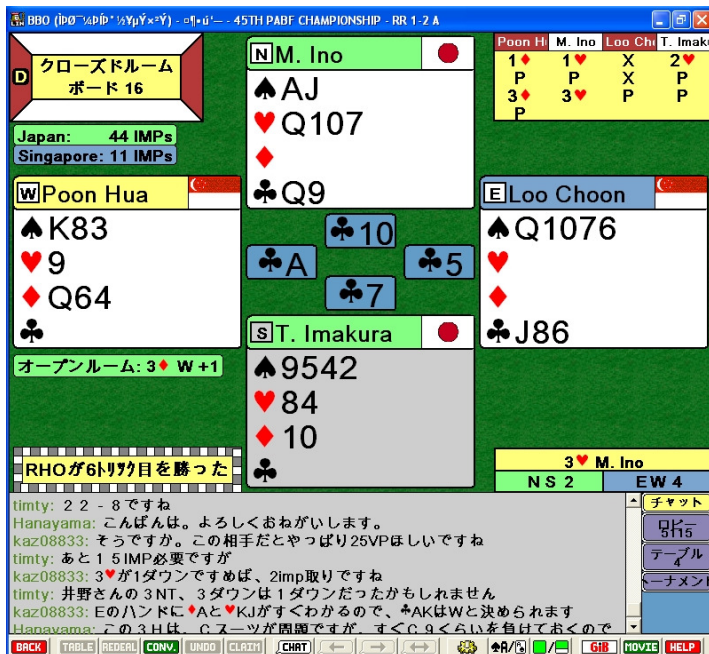
EVERYONE, EVERYWHERE Loves the BBO VuGraph!

Letter to the Editor:

The enclosed image may make a nice human interest story in the PABF Bulletin. (or in the USBC Bulletin) This is the third year in a row that we have been providing Asian language commentary during the PABF which is a credit to the organizers and to BBO for having the multi-language capability.

Dave Thompson

(Thanks Fred ... Thanks Sheri ... Thanks Jan ... You all do an amazing job!)



USBC Schedule:

Thursday, May 31	10:00 p.m.	Captains' meeting: Mayoral Ballroom
Round Robin:		
Friday, June 1	10:00-12:15 12:30-2:45	Boards 1-7 & 8-14 clumped Boards 15-21 & 22-28 clumped
	4:15-6:30 6:45-9:00	Boards 29-35 & 36-42 clumped Boards 43-49 & 50-56 clumped
Saturday, June 2	10:00-11:05 11:20-1:35	Boards 57-63 Boards 64-70 & 71-77 clumped - END OF RR1-
	3:30-5:45 6:00-8:15	Boards 1-7 & 8-14 clumped Boards 15-21 & 22-28 clumped
Sunday, June 3	10:00-2:35	Boards 29-35, 36-42, 43-49, & 50-56 clumped Closed Room Pairs Sequestered
Round of 16:		
Sunday, June 3	4:15-6:30 6:45-9:00	Segment 1, Boards 1-15 Segment 2, Boards 16-30
Monday, June 4	10:00-12:15 12:30-2:45 2:45-4:00 4:00-6:15 6:30-8:45	Segment 3, Boards 31-45 Segment 4, Boards 46-60 1 hour & 15 minute break Segment 5, Boards 61-75 Segment 6, Boards 76-90
Quarterfinals:		
Tuesday, June 5	10:00-12:15 12:30-2:45 2:45-4:00 4:00-6:15 6:30-8:45	Segment 1, Boards 1-15 Segment 2, Boards 16-30 1 hour & 15 minute break Segment 3, Boards 31-45 Segment 4, Boards 46-60
Wed., June 6	10:00-12:15 12:30-2:45 2:45-4:00 4:00-6:15 6:30-8:45	Segment 5, Boards 61-75 Segment 6, Boards 76-90 1 hour & 15 minute break Segment 7, Boards 91-105 Segment 8, Boards 106-120
Semifinals:		
Thursday, June 7	10:00-12:15 12:30-2:45 2:45-4:00 4:00-6:15 6:30-8:45	Segment 1, Boards 1-15 Segment 2, Boards 16-30 1 hour & 15 minute break Segment 3, Boards 31-45 Segment 4, Boards 46-60
Friday, June 8	10:00-12:15 12:30-2:45 2:45-4:00 4:00-6:15 6:30-8:45	Segment 5, Boards 61-75 Segment 6, Boards 76-90 1 hour & 15 minute break Segment 7, Boards 91-105 Segment 8, Boards 106-120
Finals:		
Saturday, June 9	10:00-12:15 12:30-2:45 2:45-4:00 4:00-6:15 6:30-8:45	Segment 1, Boards 1-15 Segment 2, Boards 16-30 1 hour & 15 minute break Segment 3, Boards 31-45 Segment 4, Boards 46-60
Sunday, June 10	10:00-12:15 12:30-2:45 2:45-4:00 4:00-6:15 6:30-8:45	Segment 5, Boards 61-75 Segment 6, Boards 76-90 1 hour & 15 minute break Segment 7, Boards 91-105 Segment 8, Boards 106-120

"Denial ain't just a river in Egypt."
-Mark Twain

USWBC Schedule:

Thursday, May 31	10:00pm	Captains' meeting: 3321
Round Robin:		
Friday, June 1	11:00-1:30 2:00-5:45 5:45-8:00 8:00-10:30	2 8-board matches 3 8-board matches Dinner Break 2 8-board matches
Saturday, June 2	11:00-1:30 2:00-5:45 5:45-8:00 8:00-10:30	2 8-board matches 3 8-board matches Dinner Break 2 8-board matches
Semi-Final:		
Sunday, June 3	11:00-1:30 1:45-4:15 4:15-6:15 6:15-8:45 9:00-11:30	Boards 1-16 Boards 17-32 Dinner Break Boards 33-48 Boards 49-64
Finals & 1st Playoff:		
Monday, June 4	11:00-1:30 1:45-4:15 4:15-6:15 6:15-8:45 9:00-11:30	Boards 1-16 Boards 17-32 Dinner Break Boards 33-48 Boards 49-64
Tuesday, June 5	11:00-1:30 1:45-4:15 4:15-6:15	Boards 65-80 Boards 81-96 Dinner Break
Second Playoff:		
	6:15-8:45 9:00-11:30	Boards 1-16 Boards 17-32
Wednesday, June 6	11:00-1:30 1:45-4:15 4:15-6:15 6:15-8:45 9:00-11:30	Boards 33-48 Boards 49-64 Dinner Break Boards 65-80 Boards 81-96

Holy Cow!

A man, his wife, and mother-in-law went on vacation to Jerusalem.

While they were there the mother-in-law passed away. The undertaker told them, "You can have her shipped home for \$5,000, or you can bury her here in the Holy Land for \$150."

The man thought about it and told the undertaker he would just have his mother-in-law shipped home.

The undertaker was amazed. He asked, "Why would you spend \$5,000 to ship your mother-in-law home, when it would be wonderful to be buried in the holy land and it would only cost you \$150?"

The man replied, "Long ago a man died here, was buried here, and three days later he rose from the dead. I just can't take that chance."

Aphorisms for our Time

1. 99 percent of lawyers give the rest a bad name.
2. Deja Moo: The feeling that you've heard this bull before.
3. The 2 most common elements in the universe are hydrogen and stupidity.
4. Clothes make the man. Naked people have little or no influence on society.
5. If at first you don't succeed, skydiving is not for you.
6. Money can't buy happiness. But it sure makes misery easier to live with.
7. Nothing in the known universe travels faster than a bad check.
8. Vital papers will demonstrate their vitality by moving from where you left them to where you can't find them.
9. Always remember to pillage BEFORE you burn.
10. If you are given an open-book exam, you will forget your book. (COROLLARY: If you are given a take-home test, you will forget where you live.)
11. The trouble with doing something right the first time is that nobody appreciates how difficult it was.
12. It may be that your sole purpose in life is simply to serve as warning to others.
13. Paul's Law: You can't fall off the floor.
14. The average woman would rather have beauty than brains, because the average man can see better than he can think.
15. Paranoids are people too; they have their own problems. It's easy to criticize, but if everybody hated you, you'd be paranoid too.
16. A diplomat is someone who can tell you to go to hell and make you feel happy to be on your way.
17. Eagles may soar, but weasels aren't sucked into jet engines.
18. If at first you don't succeed, destroy all evidence that you tried.
19. A conclusion is the place where you got tired of thinking.
20. Experience is something you don't get until just after you need it.
21. For every action, there is an equal and opposite criticism.
22. Success always occurs in private, and failure in full view.
23. To steal ideas from one person is plagiarism; to steal from many is research.
24. To succeed in politics, it is often necessary to rise above your principles.
25. Two wrongs are only the beginning.
26. You never really learn to swear until you learn to drive.
27. The sooner you fall behind, the more time you'll have to catch up.
28. A clear conscience is usually the sign of a bad memory.
29. If you must choose between two evils, pick the one you've never tried before.
30. Change is inevitable....except from vending machines.
31. Don't sweat petty things....or pet sweaty things.
32. Money can't buy love. But it CAN rent a very close imitation.
33. Plan to be spontaneous tomorrow.
34. Hard work pays off in the future. Laziness pays off now.
35. Borrow money from pessimists - they don't expect it back.

Brighter than you think...

I urgently needed a few days off work, but, I knew the Boss would not allow me to take leave. I thought that maybe if I acted "Crazy" Then he would tell me to take a few days off. So, I hung upside-down on the ceiling and made funny noises. My co-worker (who's blonde) asked me what I was doing. I told her that I was pretending to be a light bulb, so, that the Boss might think I was "Crazy" and give me a few days off.

A few minutes later the Boss came into the office and asked, "What in the name of good GOD are you doing?" I told him I was a light bulb. He said, "You are clearly stressed out." Go home and recuperate for a couple of days." I jumped down and walked out of the office... When my blonde co-worker followed me, the Boss asked her, "...and where do you think you're going?!"

"I'm going home too ..." The Boss asked, "Why?" The blonde replied, "Because I can't work in the dark!"

Clever Rearrangements

DORMITORY:

When you rearrange the letters:

DIRTY ROOM

PRESBYTERIAN:

When you rearrange the letters:

BEST IN PRAYER

ASTRONOMER:

When you rearrange the letters:

MOON STARER

DESPERATION:When you rearrange the letters:

A ROPE ENDS IT

THE EYES:!

When you rearrange the letters:

THEY SEE

GEORGE BUSH:

When you rearrange the letters:

HE BUGS GORE

THE MORSE CODE:

When you rearrange the letters:

HERE COME DOTS

SLOT MACHINES:

When you rearrange the letters:

CASH LOST IN ME

ANIMOSITY:

When you rearrange the letters:

IS NO AMITY

ELECTION RESULTS:

When you rearrange the letters:

LIES - LET'S RECOUNT

SNOOZE ALARMS:

When you rearrange the letters:

ALAS! NO MORE Z 'S

A DECIMAL POINT:

When you rearrange the letters:

IM A DOT IN PLACE

THE EARTHQUAKES:

When you rearrange the letters:

THAT QUEER SHAKE

ELEVEN PLUS TWO:

When you rearrange the letters:

TWELVE PLUS ONE

MOTHER-IN-LAW:

When you rearrange the letters:

WOMAN HITLER



"You don't stop laughing because you grow old. You grow old because you stop laughing."

-Michael Pritchard

A man is struck by a bus on a busy street in New York City.

He lies dying on the sidewalk as a crowd of spectators gathers around.

"A priest! Somebody get me a priest!" the man gasps. A policeman checks the crowd but finds no priest, no minister, no man of God of any kind.

"A PRIEST, PLEASE!" the dying man says again. Then out of the crowd steps a little old Jewish man of at least eighty years of age. "Mr. Policeman," says the man, "I'm not a priest. I'm not even a Catholic. But for fifty years now I'm living behind St. Mary's Catholic Church on Third Avenue, and every night I'm listening to the Catholic litany. Maybe I can be of some comfort to this man."


The policeman agrees and brings the octogenarian over to the dying man. He kneels down, leans over the injured and says in a solemn voice:

"B - 4 ... I - 19 ... N - 38 ... G - 54 ... O - 72." BINGO!

ANSWERS TO PUZZLE PAGE:

"Small" Slam

It is possible to make grand slam in any arbitrary trump suit with only 5 high card points. (In this illustration, the slam is made by East/West) Spades is trump in this example. Note that this will not work in No Trump.

♠ K		
♥ AJ32		
♦ JT98		
♣ AKQJ		
♠ AT862		♠ J9753
♥		♥ T987
♦		♦ 5432
♣ T987542		♣
♠ Q		
♥ KQ654		
♦ AKQ76		
♣ 63		

Play goes as follows: If the defenders lead a diamond or heart, ruff in hand. If the defenders lead trump, take with the ace in hand. If defenders lead a club, ruff in dummy and then lead a trump to the ace in hand. Now lead a low club to dummy, trump it, and return a diamond or heart and trump that in hand. Do this 4 times; after the fourth time, the remaining clubs are good, as are the rest of the trump in your hand. There it is, grand slam with 5 HCP!

Finessephobia

You do not have to take the finesse after all. Remember that South bid 2 Diamonds as an opening bid, so he has to have 6. Once you get the lead in your hand, lead a heart to dummy's Queen. Now lead the Jack of Spades from dummy and finesse the Queen (this finesse is safe because North can't have any more diamonds). This works, so take the AK of Spades next, followed by the AQ of hearts. South follows to all these tricks, so you know that he had 3 hearts, 3 spades, and 6 diamonds. He can only have one club. If you finesse and it fails, he will take the rest of the tricks with his diamonds and you are down 1. Instead, lead to the ace in dummy and then lead back the queen. North can take this with his king, but he has no diamonds left to lead and is stuck with a club that eventually he will have to lead, giving you your contract.

Clear Away the Barricade

You could simply try either leading the Ace and King of Clubs and hoping the Queen falls, or you could try taking a Club finesse by leading the 2 from dummy. But that's the everyman's play. The smart player proceeds thus: on the Heart lead, take the Ace in Dummy, dropping the K from hand. Lead the Q of Hearts, dropping the A of Spades. Now lead the K,Q,J of Spades from dummy, dropping the A,K,Q of Diamonds. Lead the J of Diamonds. If the 10 falls, run the diamonds and your contract is made. If the 10 does not fall, then you can always lead the 2 of Clubs and try your finesse. (In the hand that inspired this, the Club finesse would have failed.)

A woman walks into the downtown welfare office, trailed by 15 kids... "WOW," the social worker exclaims, "are they ALL YOURS???" "Yep they are all mine," the flustered momma sighs, having heard that question a thousand times before. She says, "Sit down Leroy." All the children rush to find seats.

Says the social worker, "You must be here to sign up. I'll need all your children's names."

"This one's my oldest - he is Leroy."

"OK, and who's next?"

"Well, this one he is Leroy, also."

The social worker raises an eyebrow but continues. One by one, through the oldest four, all boys, all named Leroy. Then she is introduced to the eldest girl, named Leighroy!

"All right," says the caseworker.! "I'm seeing a pattern here. Are they ALL named Leroy?"

Their Momma replied, "Yes-it makes it easier. When it is time to get them out of bed and ready for school, I yell, 'Leroy!' An' when it's time for dinner, I just yell 'Leroy!' 'an' they all come. An' if I need to stop the kid who's running into the street, I just yell 'Leroy' and all of them stop. It's the smartest idea I ever had, namin' them all Leroy."

The social worker thinks this over for a bit, then wrinkles her forehead and says tentatively, "But what if you just want ONE kid to come, and not the whole bunch?"

I call him by his last name.

Starting Out with a Variety of Results on Board One

Board 1
 Dealer: N
 None Vul.
 ♠ QJT862
 ♥
 ♦ QJ6
 ♣ AQ64

The points are split evenly and three of the four hands are essentially flat. Still, several tables in the USBC reached game North/South ... one played in a part score ... and one took the even vulnerability save in 5♥ East/West.

♠ 53
 ♥ KT875
 ♦ 52
 ♣ J932

N
↑

♠ AK
 ♥ AQ942
 ♦ 873
 ♣ K82

♠ 974
 ♥ J63
 ♦ AKT94
 ♣ T5

In the Deutsch/Meltzer match, Deutsch struck the first blow on this board by scoring 6 IMPs when Bramley/Lazard found the 4♠ game while Sontag and Bates stopped in two.

In the Harris/Ekeblad match, Ekeblad gained 10 IMPs when Ekeblad/Rubin found the game and scored it up doubled! At their other table, Stansby and Martel took the five heart save which only went down one.

In the Schwartz/O'Rourke match, Greco and Hampson got doubled and made four spades N/S, while Jacobus and O'Rourke were allowed to play four hearts undoubled for down one. O'Rourke picked up 11 IMPs.

Seldom do you see a board that produces a game swing in ALL three matches in which it is played.

Sidney Lazard, South, is back at the top of his game. Bramley, North, led the deuce of spades against 3NT. Lazard found the only switch to give declarer a chance to go wrong ... and Lazard's side, a chance to defeat the cold game!

Sidney won the king of spades and immediately shifted to the king of clubs. Who can blame Rose for thinking it was from the AK? Sidney continued with the club eight and Meltzer inserted the queen. Bramley won the club ace, cashed his spade ace, and led another club to Lazard. This was 13 IMPs to Deutsch.

(Ed note: One of the great things about having the Team Trials here in Chicagoland is the chance to see and visit with old friends. It is GREAT to see Sidney again. Everyone here has the utmost respect for him, and since he has been playing less bridge, we miss his smiling face! Excellent play, Sidney! You still haven't lost your prowess at the game.)

Board 3
 Dealer: S
 E/W Vul.

♠ A952
 ♥ T9
 ♦ 975
 ♣ A765

N
↑

♠ QT64
 ♥ KQ85
 ♦ Q2
 ♣ QT4

♠ J8
 ♥ AJ4
 ♦ AKJ863
 ♣ 32

♠ K73
 ♥ 7632
 ♦ T4
 ♣ KJ98



Deutsch (left) and Kranyak



Wheeler (left) and Bernstein

Board 7
 Dealer: S
 All Vul.

♠ QJT7
 ♥ AKQJ72
 ♦ 54
 ♣ 2

♠ AK63
 ♥ T
 ♦ K62
 ♣ AKJ98

♠ 9542
 ♥ 85
 ♦ Q987
 ♣ 654

♠ 8
 ♥ 9643
 ♦ AJT3
 ♣ QT73



Location, Location, Location! Position really mattered on Board 7 of the USBC. In the Ekeblad/Harris match, Ekeblad/Rubin bid to four hearts on the following auction:

West - Harris	North - Ekeblad	East - Morgan	South - Rubin
			Pass
1♣ (strong)	1♥	Pass	2♥
2♠	3♥	3♠	4♥
4♠	Double	All Pass	

Since Harris made the decision to bid four spades, Ekeblad was in a perfect position to double with his QJT7 of trumps.

In the Deutsch/Meltzer match, the auction went:

Lazard chose to bid 5♥ over four spades. Five hearts might have been a make, and it provided some insurance against the other side making a possible 4♠. With a singleton in the trump suit, Sidney could not tell what was right. Five hearts doubled went light a trick while four spades had no chance. Had the four spade bid come from the other side, Bramley would have had the same opportunity to double it as Ekeblad did.

West - Meltzer	North - Bramley	East - Larsen	South - Lazard
			Pass
1♣	1♥	Pass	3♥
3♠	4♥	4♠	5♥
Double	All Pass		

Board 67
 Dealer: S
 E/W Vul.

♠ K
 ♥ AJ64
 ♦ QT54
 ♣ A987

♠ T842
 ♥ QT872
 ♦ J8
 ♣ J6

♠ J97
 ♥ K53
 ♦ A63
 ♣ QT43

♠ AQ653
 ♥ 9
 ♦ K972
 ♣ K52



In the **USWBC**, Rosenberg/Stansby (Debbie/Joanne... not to be confused with husbands, Michael and Lou) bid a skinny slam on Board 67. With a combined trump holding of QT54 opposite K972, bringing home the contract required careful play. Debbie Rosenberg was up to it. The auction:

West - Bernstein	North - Stansby	East - Wheeler	South - Rosenberg
			1♠
Pass	2♣	Pass	2♦
Pass	3♦	Pass	4♣
Pass	4♥	Double	Pass
Pass	Redouble	Pass	4♠
Pass	4NT	Pass	5♥
Pass	6♦	All Pass	

The opening lead was the ♥7. Rosenberg won the ace and ruffed a heart to hand. She played a spade to the king and ruffed a second heart. Now she ruffed a spade in dummy and played a diamond, ducked to her king. She played another diamond to the queen, East ducking again. Rosenberg played her final diamond off dummy. West won, but holding no more hearts, she was helpless. She could play a spade or a club and Rosenberg could take the rest of the tricks.

In the other room, the auction began the same way. However, where Stansby bid 3♦, Sulgrove chose 2NT. Griffey bid 3♣ and Sulgrove bid 3NT. That ended the auction ... It was ten IMPs to Narasimhan.

Board 21
 Dealer: N
 N/S Vul.
 ♠ T864
 ♥ J
 ♦ 973
 ♣ AK765

♠ A7
 ♥ A764
 ♦ 542
 ♣ 9842



♠ Q9
 ♥ K98532
 ♦ KJT8
 ♣ 3
 ♠ KJ532
 ♥ QT
 ♦ AQ6
 ♣ QJT

Pressure in the Auction Pays Off Big!

Bramley, East, opened a pretty standard weak two in hearts. His suit may be a little anemic, but his 6-4 distribution compensates. Meltzer overcalled two spades on her opening no-trump with five spades.

Lazard, looking at two bullets, took advantage of the favorable vulnerability. He jumped right up to the five level. Larson had no clue if the hand belonged to his side or not. He was boxed-in by the high level. He chose to bid five spades, hoping it was a make.

Unfortunately for Meltzer, five spades went light one trick when Lazard cashed the heart ace and switched to a club. When Lazard won the spade ace, he gave Bramley a club ruff to set five spades.

Nice switch!

West	North	East	South
Lazard	Larson	Bramley	Meltzer
		2♥	2♠
5♥	5♠	Pass	Pass
Pass			

In the other room, Smith and Cohen never took a call with the East/West cards, and Baze and Cohler were allowed to play four spades making.

That was 12 IMPs to Deutsch.

FYI: Visas are required for entrance to Shanghai. Barbara Nudelman has the necessary applications in the hospitality suite. Victorious teams should stop by there and pick up their apps from Barbara.

Letters of Invitation are **not** needed to attend the competition.

“De”ductions: If lawyers are disbarred and clergymen defrocked, doesn't it follow that electricians can be delighted, musicians denoted, cowboys deranged, models deposed and dry cleaners depressed? Laundry workers could decrease, eventually becoming depressed and depleted! Even more, bed makers will be debunked, baseball players will be debased, landscapers will be deflowered, bulldozer operators will be degraded, organ donors will be delivered, software engineers will be detested, the BVD company will be debriefed, and even musical composers will eventually decompose. And on a more positive note, perhaps we can hope politicians will be devoted.

Quinn leads Sulgrove: 66-25 with 2/3 of the Boards Remaining to be Played Today and Tonight

The hands were not very exciting last night in the USWBC Playoff2 match, but there were a surprising number of swings.

At the conclusion of tonight's play, we will have a winner. Said winner will represent USA as USA2 in Shanghai for the Venice Cup. Who will go for the gold? Read all about it in tomorrow's bulletin.

If you want to see the action live on VuGraph, follow the extensive coverage on-line. We will look for you there.